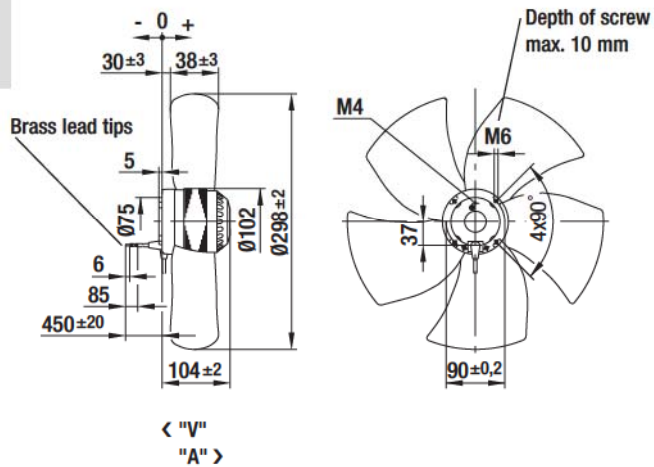


# AC axial fans 2-pole

S series, Ø 300, drawings of directions of air flow "V" and "A"



## Without attachments

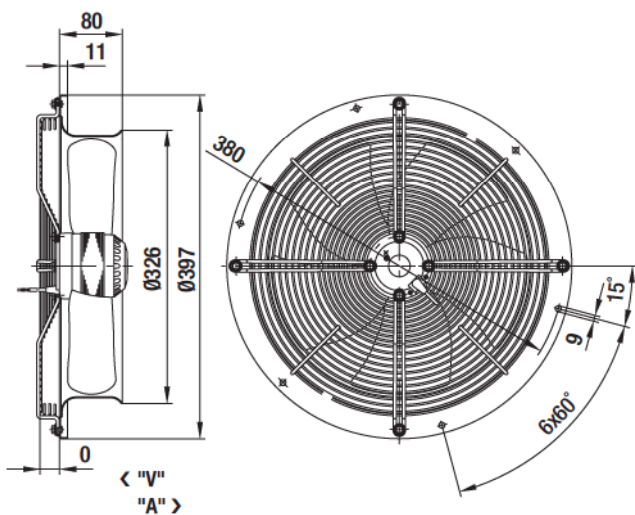


## Type

A2D 300-AP02 -01	"V"
A2D 300-AP02 -02	"A"
A2E 300-AP02 -01	"V"
A2E 300-AP02 -02	"A"



## With full round nozzle

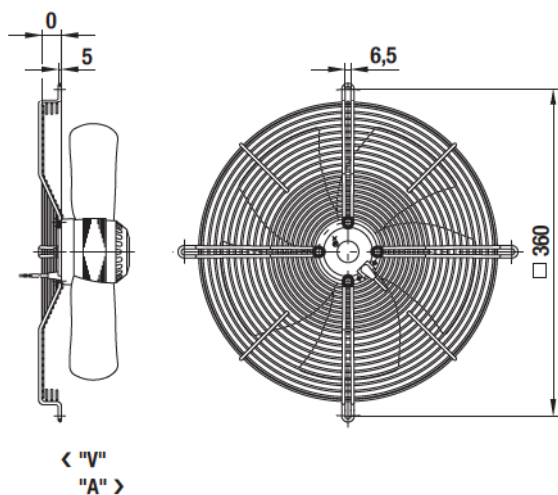


## Type

W2D 300-CP02 -30	"V"
W2D 300-CP02 -31	"A"
W2E 300-CP02 -30	"V"
W2E 300-CP02 -31	"A"



## With guard grille for full nozzle

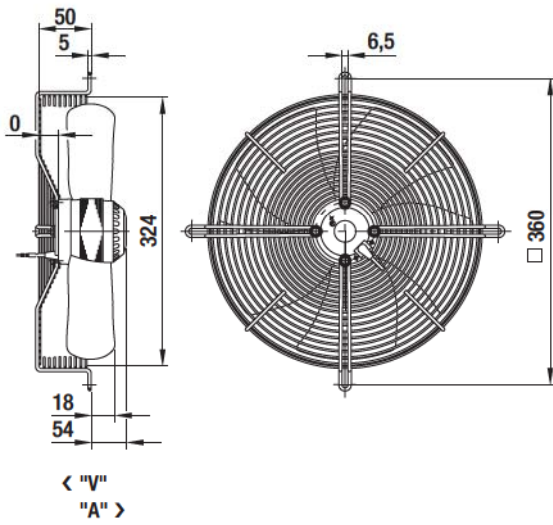


## Type

S2D 300-BP02 -30	"V"
S2D 300-BP02 -31	"A"
S2E 300-BP02 -30	"V"
S2E 300-BP02 -31	"A"



### With guard grille for short nozzle



### Type

S2D 300-AP02 -30	"V"
S2D 300-AP02 -31	"A"
S2E 300-AP02 -30	"V"
S2E 300-AP02 -31	"A"