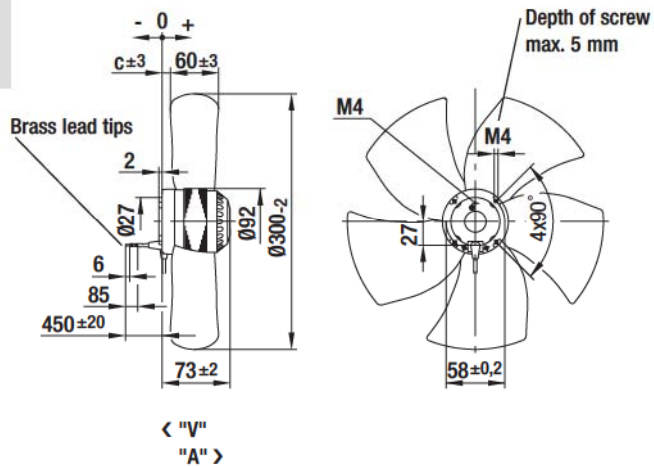


AC axial fans 4-pole

S series, Ø 300, drawings of directions of air flow "V" and "A"



Without attachments

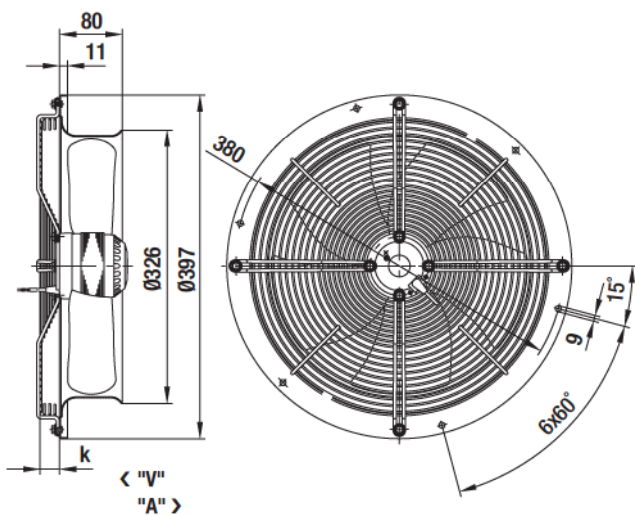


Type

Type		c
A4D 300-AP28 -01	"V"	13.0
A4D 300-AP28 -02	"A"	-7.0
A4E 300-AP26 -01	"V"	13.0
A4E 300-AP26 -02	"A"	-7.0



With full round nozzle

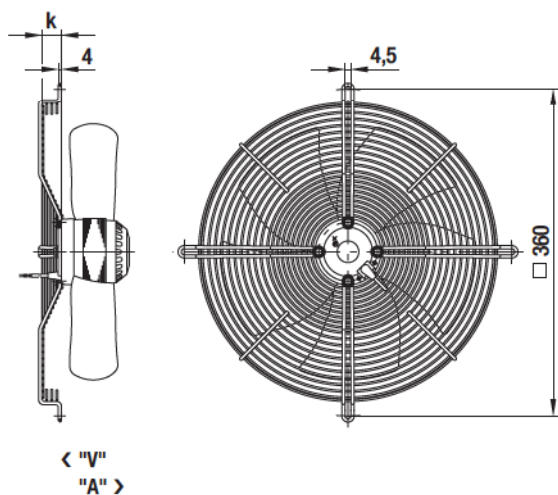


Type

Type		k
W4D 300-CP28 -30	"V"	0.0
W4D 300-CP28 -31	"A"	30.0
W4E 300-CP26 -30	"V"	0.0
W4E 300-CP26 -31	"A"	30.0



With guard grille for full nozzle

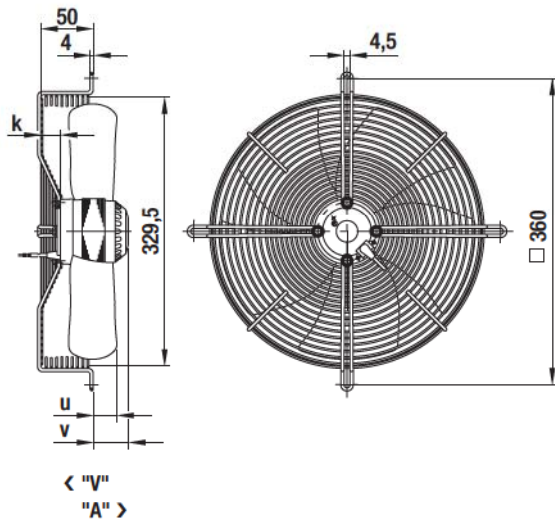


Type

Type		k
S4D 300-BP28 -30	"V"	0.0
S4D 300-BP28 -31	"A"	30.0
S4E 300-BP26 -30	"V"	0.0
S4E 300-BP26 -31	"A"	30.0



With guard grille for short nozzle



Type

		k	u	v
S4D 300-AP28 -30	"V"	0.0	23.0	23.0
S4D 300-AP28 -31	"A"	30.0	29.0	49.0
S4E 300-AP26 -30	"V"	0.0	23.0	23.0
S4E 300-AP26 -31	"A"	30.0	29.0	49.0