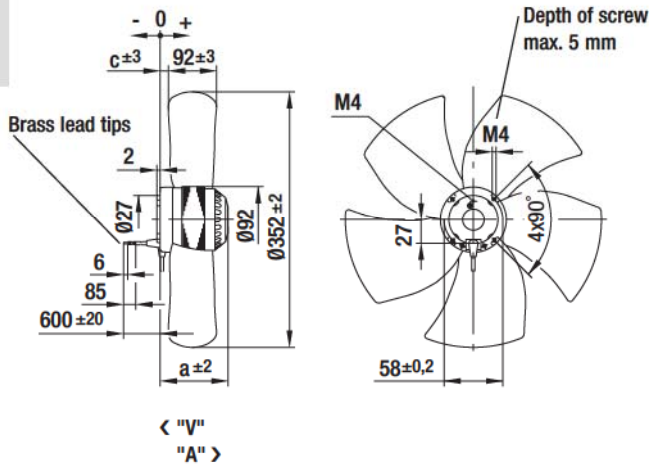


AC axial fans

S series, Ø 350, drawings of directions of air flow "V" and "A"



Without attachments

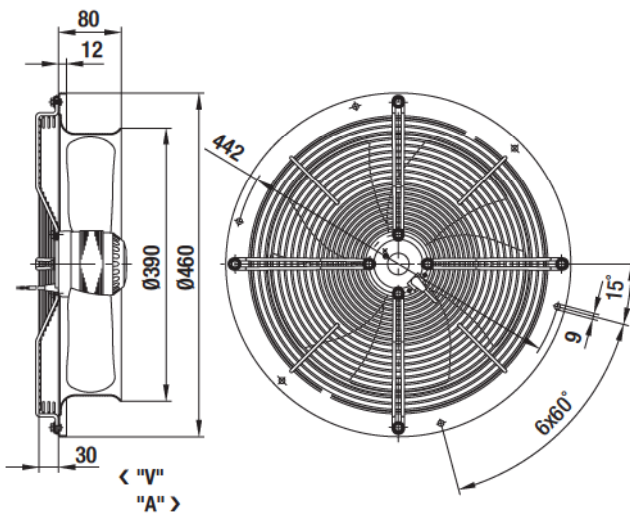


Type

		a	c
A4D 350-AR06 -01	"V"	102.0	10.0
A4D 350-AR06 -02	"A"	102.0	-10.0
A4E 350-AR06 -01	"V"	102.0	10.0
A4E 350-AR06 -02	"A"	102.0	-10.0
A6E 350-AR08 -01	"V"	83.0	5.0
A6E 350-AR08 -02	"A"	83.0	-12.0



With full round nozzle

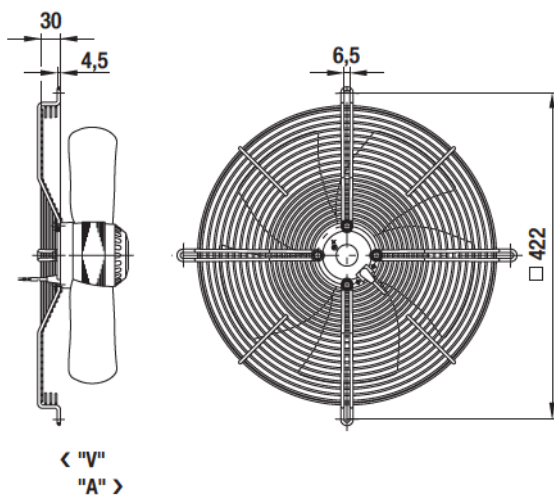


Type

W4D 350-CR06 -30	"V"
W4D 350-CR06 -31	"A"
W4E 350-CR06 -30	"V"
W4E 350-CR06 -31	"A"
W6E 350-CR08 -30	"V"
W6E 350-CR08 -31	"A"



With guard grille for full nozzle

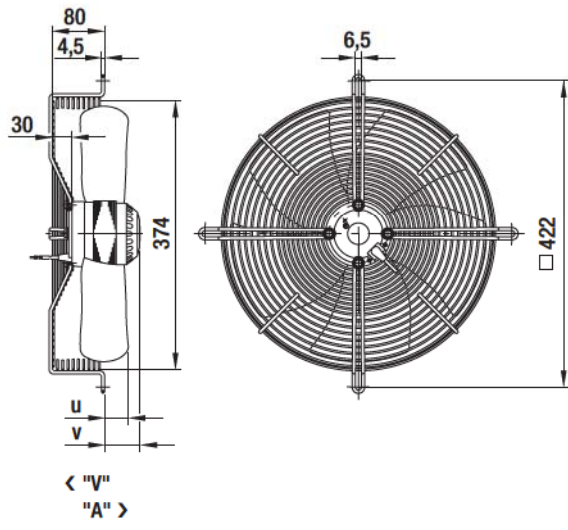


Type

S4D 350-BR06 -30	"V"
S4D 350-BR06 -31	"A"
S4E 350-BR06 -30	"V"
S4E 350-BR06 -31	"A"
S6E 350-BR08 -30	"V"
S6E 350-BR08 -31	"A"



With guard grille for short nozzle

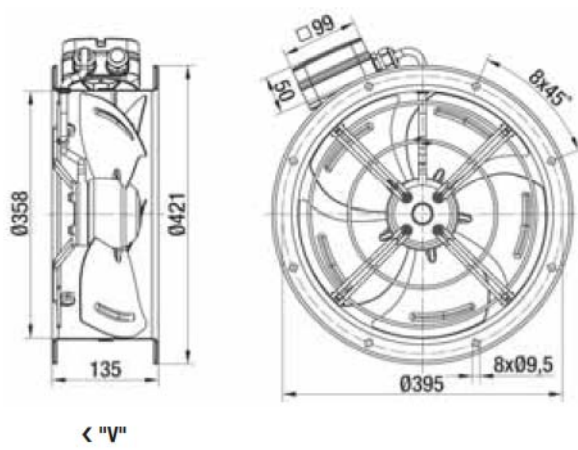


Type

Type		u	v
S4D 350-AR06 -30	"V"	52.0	52.0
S4D 350-AR06 -31	"A"	32.0	52.0
S4E 350-AR06 -30	"V"	52.0	52.0
S4E 350-AR06 -31	"A"	32.0	52.0
S6E 350-AR08 -30	"V"	47.0	33.0
S6E 350-AR08 -31	"A"	30.0	33.0



In-line duct fan



Type

W4D 350-IR06 -01	"V"
W4E 350-IR06 -01	"V"