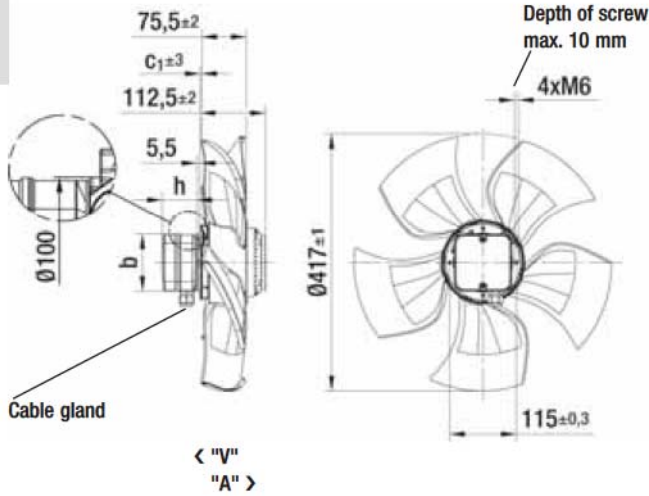


# AC axial fans

S series, Ø 420, drawings of directions of air flow "V" and "A"



## Without attachments

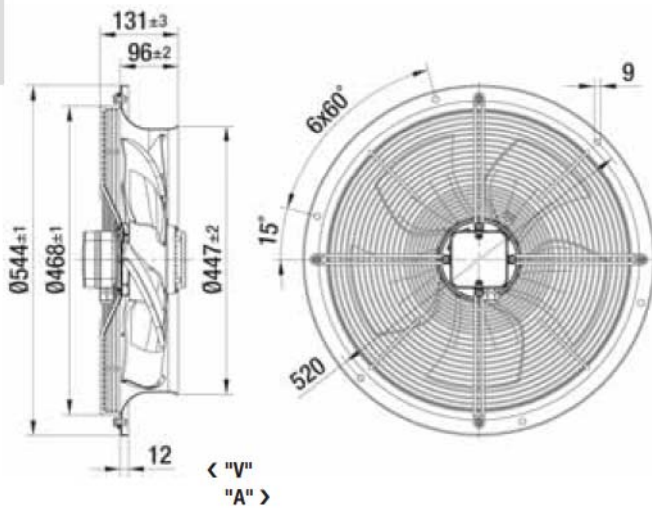


## Type

Type		b	c <sub>1</sub>	h
A4D 420-AU02 -01	"V"	Ø 89	2.0	33.5
A4D 420-AU02 -02	"A"	Ø 89	16.0	33.5
A4E 420-AU03 -01	"V"	99x99	2.0	59.5
A4E 420-AU03 -02	"A"	99x99	16.0	59.5



## With full round nozzle

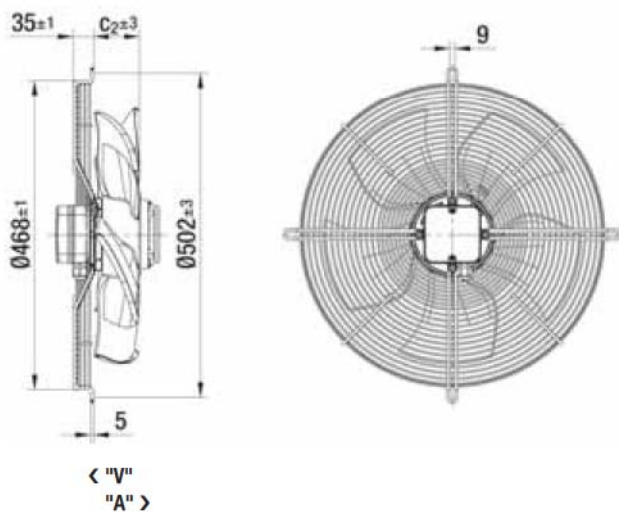


## Type

W4D 420-CU02 -30	"V"
W4D 420-CU02 -31	"A"
W4E 420-CU03 -30	"V"
W4E 420-CU03 -31	"A"



## With guard grille for full nozzle

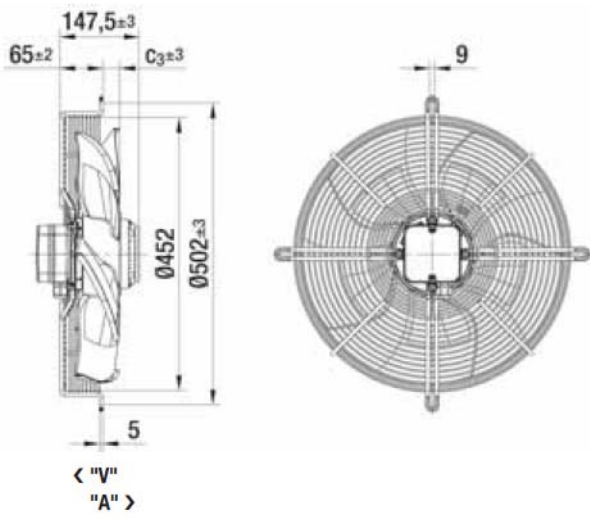


## Type

Type		c <sub>2</sub>
S4D 420-BU02 -30	"V"	77.5
S4D 420-BU02 -31	"A"	91.5
S4E 420-BU03 -30	"V"	77.5
S4E 420-BU03 -31	"A"	91.5



### With guard grille for short nozzle



### Type

Type		c <sub>3</sub>
S4D 420-AU02 -03	"V"	47.5
S4D 420-AU02 -04	"A"	61.5
S4E 420-AU03 -03	"V"	47.5
S4E 420-AU03 -04	"A"	61.5