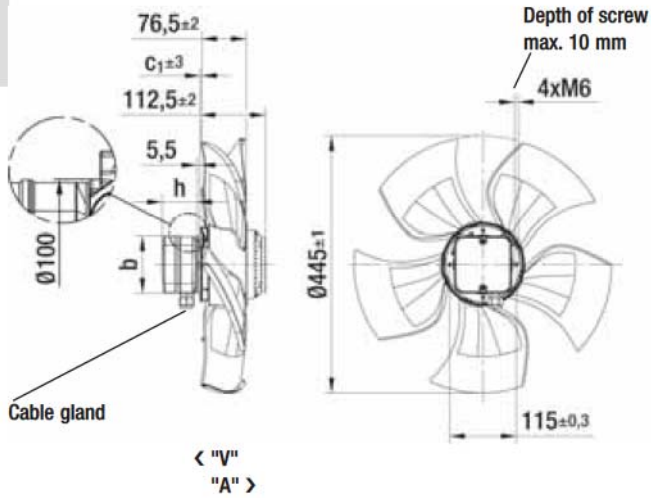


AC axial fans

S series, Ø 450, drawings of directions of air flow "V" and "A"



Without attachments

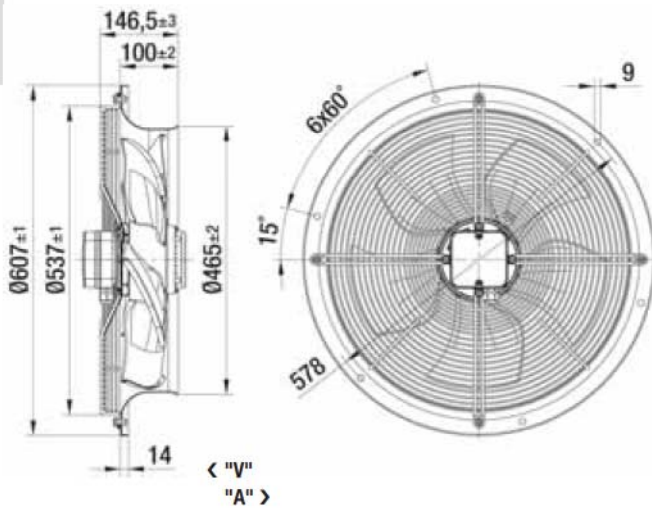


Type

Type	b	c ₁	h
A4D 450-AU01 -01	Ø 89	6.0	33.5
A4D 450-AU01 -02	Ø 89	20.0	33.5
A4E 450-AU03 -01	99x99	6.0	59.5
A4E 450-AU03 -02	99x99	20.0	59.5



With full round nozzle

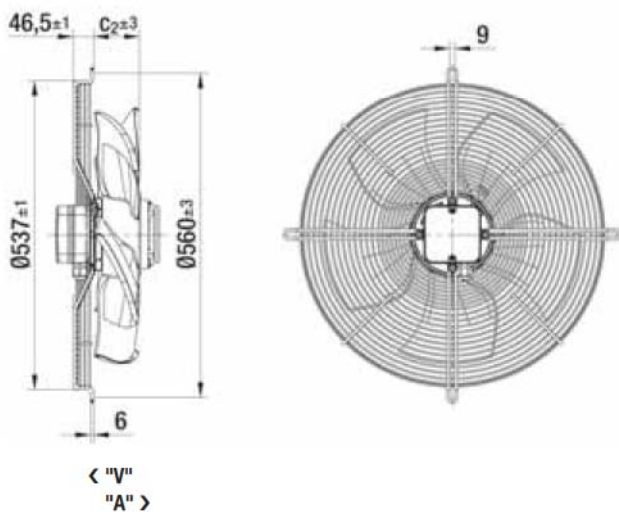


Type

W4D 450-CU01 -01	"V"
W4D 450-CU01 -02	"A"
W4E 450-CU03 -01	"V"
W4E 450-CU03 -02	"A"



With guard grille for full nozzle

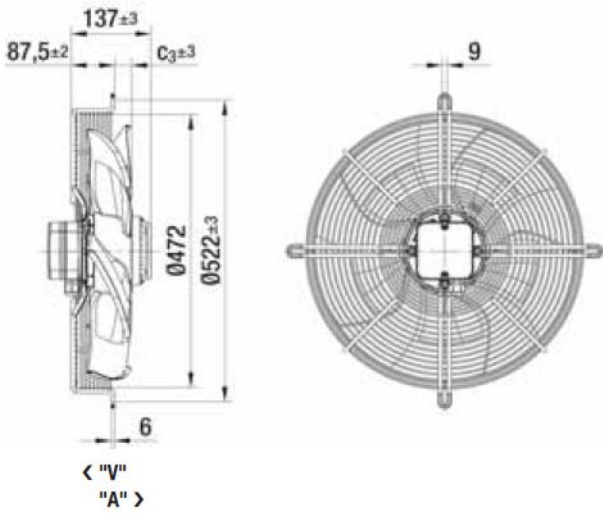


Type

Type	c ₂
S4D 450-BU01 -01	"V" 60.5
S4D 450-BU01 -02	"A" 74.5
S4E 450-BU03 -01	"V" 60.5
S4E 450-BU03 -02	"A" 74.5



With guard grille for short nozzle



Type

Type		c ₃
S4D 450-AU01 -01	"V"	19.5
S4D 450-AU01 -02	"A"	33.5
S4E 450-AU03 -01	"V"	19.5
S4E 450-AU03 -02	"A"	33.5