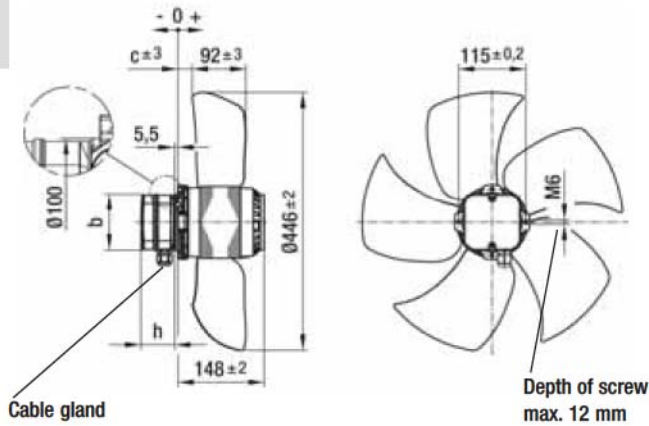


# AC axial fans

S series, Ø 450, drawings of directions of air flow "V" and "A"



## Without attachments

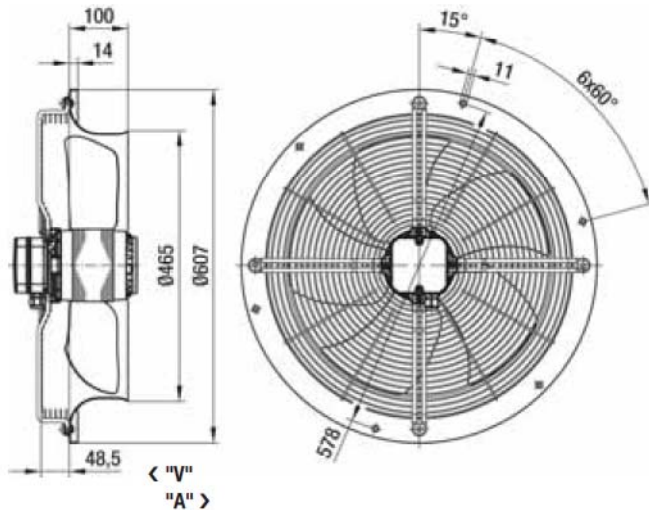


## Type

Type		b	c	h
A4D 450-BA14 -01	"V"	Ø 89	35.0	33.5
A4D 450-BA14 -02	"A"	Ø 89	36.7	33.5
A4E 450-BA09 -01	"V"	99x99	35.0	59.5
A4E 450-BA09 -02	"A"	99x99	36.7	59.5



## With full round nozzle

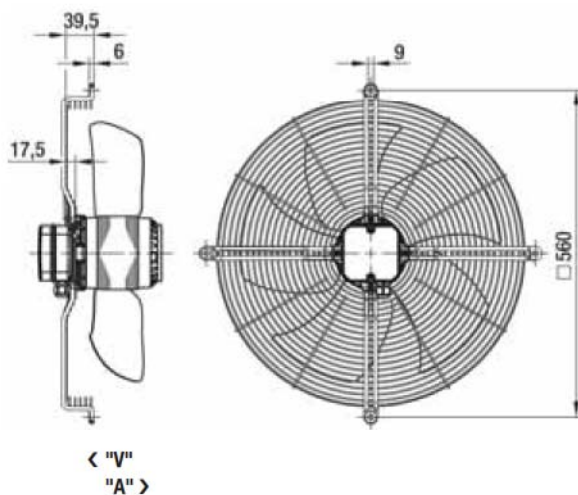


## Type

W4D 450-GA14 -01	"V"
W4D 450-GA14 -02	"A"
W4E 450-GA09 -01	"V"
W4E 450-GA09 -02	"A"



## With guard grille for full nozzle

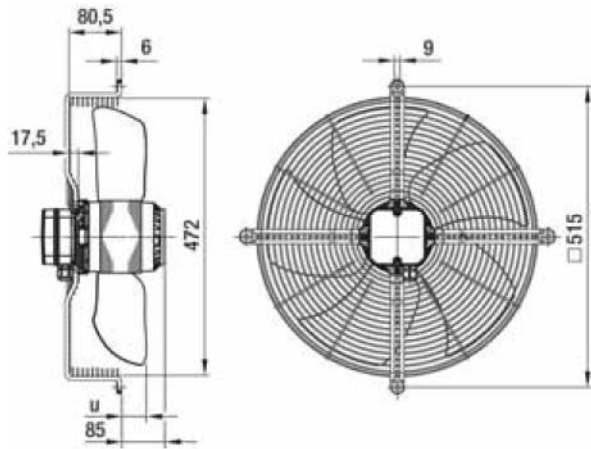


## Type

S4D 450-HA14 -01	"V"
S4D 450-HA14 -02	"A"
S4E 450-HA09 -01	"V"
S4E 450-HA09 -02	"A"



### With guard grille for short nozzle



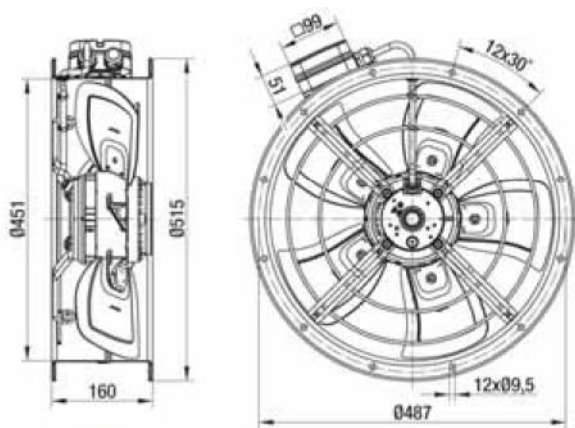
< "V"  
"A" >

### Type

Type		u
S4D 450-GA14 -01	"V"	64.0
S4D 450-GA14 -02	"A"	65.7
S4E 450-GA09 -01	"V"	64.0
S4E 450-GA09 -02	"A"	65.7



### In-line duct fan



< "V" >

### Type

W4D 450-IG01 -01	"V"
W4E 450-IG01 -01	"V"