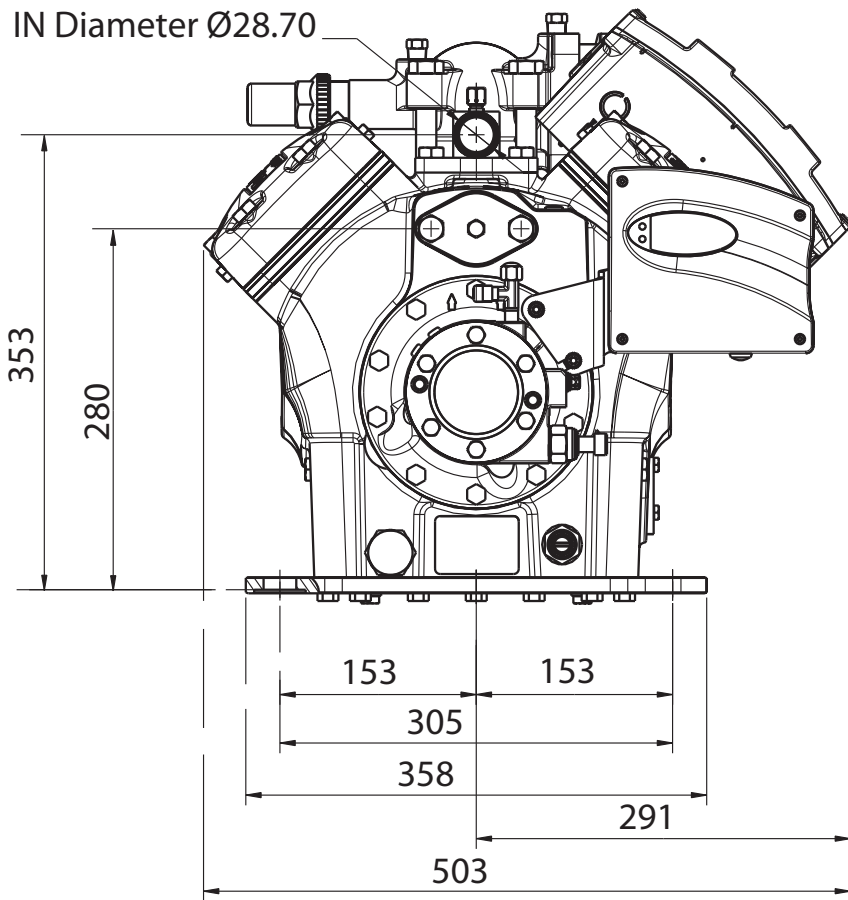


Model	Drawing Number	Revision Number	Date
4MH-25X	497-1203-00	0	19.03.2010
4MI-30X	497-1205-00	0	19.03.2010
4MM-20X	497-1204-00	0	19.03.2010

Discharge Valve
 OUT Diameter Ø32.00
 IN Diameter Ø28.70



Suction Valve
 OUT Diameter Ø60.00
 IN Diameter Ø54.17

