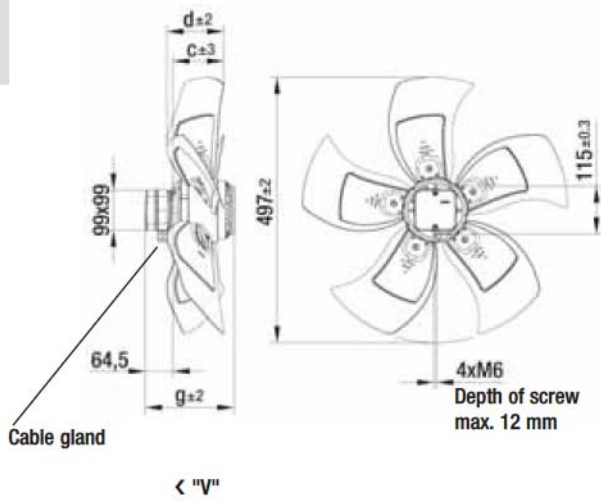


AC axial fans

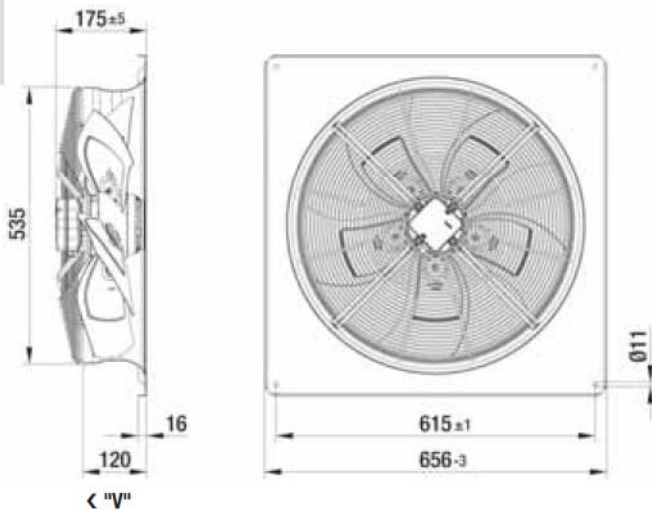
S series, Ø 500, drawings for direction of air flow "V"

Without attachments



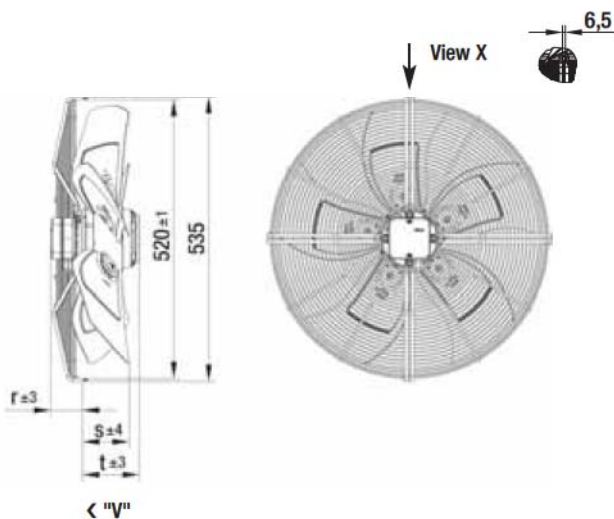
Type	Mass [kg]	c	d	g
A4D 500-AI01 -01	8.8	92.0	78.0	188.5
A4D 500-AD03 -01	11.0	104.0	101.0	208.5
A4D 500-AE03 -01	11.0	98.0	89.0	208.5
A6D 500-AG03 -01	8.8	104.0	101.0	188.5
A6D 500-AH03 -01	8.8	98.0	89.0	188.5
A6D 500-AI03 -01	8.8	92.0	78.0	188.5
A8D 500-AG01 -01	8.8	104.0	101.0	188.5
A4E 500-AI01 -01	8.8	92.0	78.0	188.5
A4E 500-AD03 -01	11.0	104.0	101.0	208.5
A4E 500-AE03 -01	11.0	98.0	89.0	208.5
A6E 500-AG03 -01	8.8	104.0	101.0	188.5
A6E 500-AH03 -01	8.8	98.0	89.0	188.5
A6E 500-AI03 -01	8.8	92.0	78.0	188.5
A8E 500-AG01 -01	8.8	104.0	101.0	188.5

With full square nozzle



Type	Mass [kg]
W4D 500-GI01 -01	18.6
W4D 500-GD03 -01	21.0
W4D 500-GE03 -01	21.0
W6D 500-GG03 -01	18.6
W6D 500-GH03 -01	18.6
W6D 500-GI03 -01	18.6
W8D 500-GG01 -01	18.6
W4E 500-GI01 -01	18.6
W4E 500-GD03 -01	21.0
W4E 500-GE03 -01	21.0
W6E 500-GG03 -01	18.6
W6E 500-GH03 -01	18.6
W6E 500-GI03 -01	18.6
W8E 500-GG01 -01	18.6

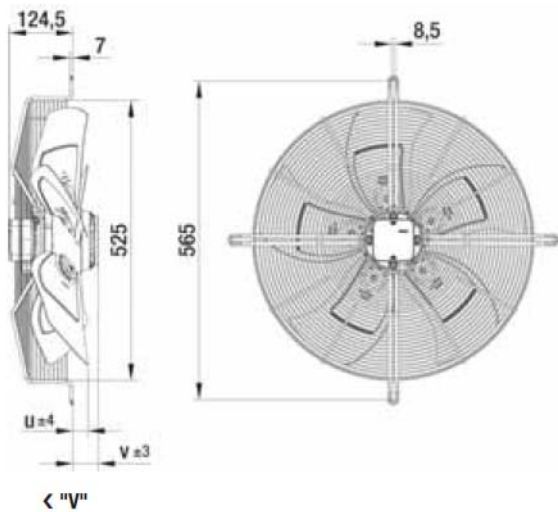
With guard grille for full nozzle



Type	Mass [kg]	r	s	t
S4D 500-CI01 -01	12.6	63.5	91.0	123.0
S4D 500-CD03 -01	14.8	65.5	103.0	143.0
S4D 500-CE03 -01	14.8	65.5	97.0	143.0
S6D 500-CG03 -01	12.6	65.5	103.0	123.0
S6D 500-CH03 -01	12.6	65.5	97.0	123.0
S6D 500-CI03 -01	12.6	63.5	97.0	123.0
S8D 500-CG01 -01	12.6	63.5	103.0	123.0
S4E 500-CI01 -01	12.6	63.5	91.0	123.0
S4E 500-CD03 -01	14.8	65.5	103.0	143.0
S4E 500-CE03 -01	14.8	65.5	97.0	143.0
S6E 500-CG03 -01	12.6	63.5	103.0	123.0
S6E 500-CH03 -01	12.6	63.5	97.0	123.0
S6E 500-CI03 -01	12.6	63.5	97.0	123.0
S8E 500-CG01 -01	12.6	63.5	103.0	123.0



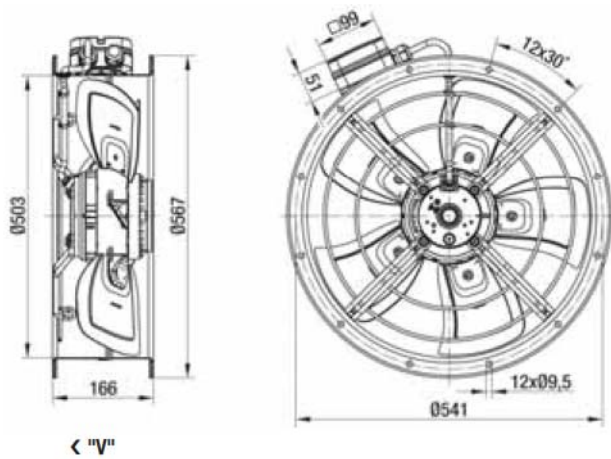
With guard grille for short nozzle



Type	Mass [kg]	u	v
S4D 500-AI01 -01	13.3	32.0	64.0
S4D 500-AD03 -01	15.5	44.0	84.0
S4D 500-AE03 -01	15.5	38.0	84.0
S6D 500-AG03 -01	13.3	44.0	64.0
S6D 500-AH03 -01	13.3	38.0	64.0
S6D 500-AI03 -01	13.3	32.0	64.0
S8D 500-AG01 -01	13.3	44.0	64.0
S4E 500-AI01 -01	13.3	32.0	64.0
S4E 500-AD03 -01	15.5	44.0	84.0
S4E 500-AE03 -01	15.5	38.0	84.0
S6E 500-AG03 -01	13.3	44.0	64.0
S6E 500-AH03 -01	13.3	38.0	64.0
S6E 500-AI03 -01	13.3	32.0	64.0
S8E 500-AG01 -01	13.3	44.0	64.0



In-line duct fan



Type	Mass [kg]
W4D 500-ID03 -01	16.8
W4E 500-ID03 -01	16.8
W6E 500-IG03 -01	14.8