

HRB/4-350 BPN

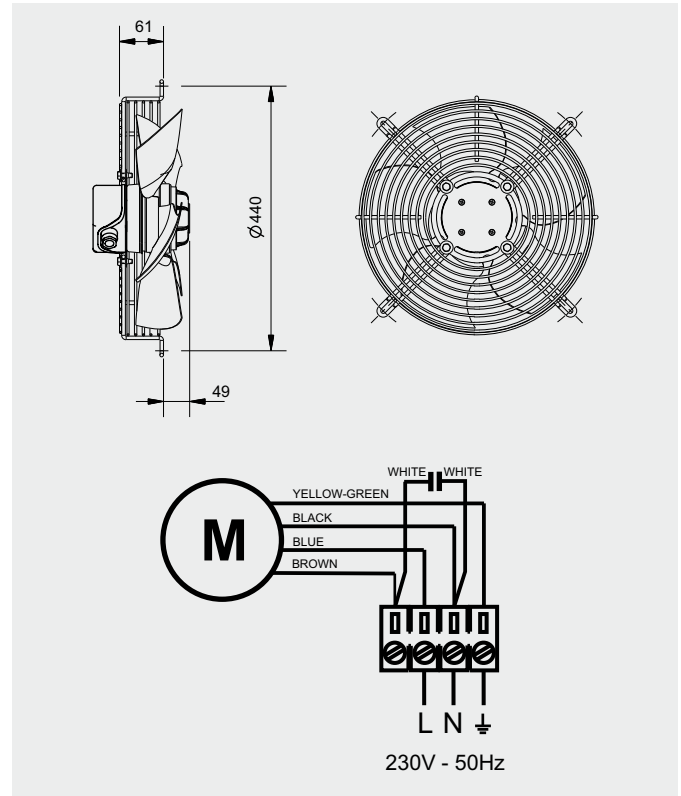
IP44



Dimensiones y conexiones Dimensions and wiring

Características Characteristics

Tensión Voltage	1 ~ 230V 50/60Hz
Tipo motor Motor type	4 polos 4 poles IP44 cl.F
Potencia absorbida máxima Maximum power absorbed	175 W
Intensidad absorbida máxima Maximum absorbed current	0,8 A
Condensador Capacitor	8 µF/400V
Ia/In Is/In	2,8
Temperatura del aire Air temperature	-40°C < T < +60°C
Peso Weight	4,0 kg
Código ventilador Fan code number	5750133000
Código motor Motor code number	



Curvas características / Performance curves (04/07/2012)

	Fan data	ErP	
		2013	2015
Installation category	A		
Efficiency category	Static		
VSD must be installed with the fan	No		
Specific ratio	1		
Overall efficiency [%]	29,1	24,6	28,6
Efficiency grade	40,5	36,0	40,0
Absorbed power [kW]	0,155		
Air volume [m ³ /h]	1688		
Static pressure [Pa]	97		
Speed [RPM]	1355		

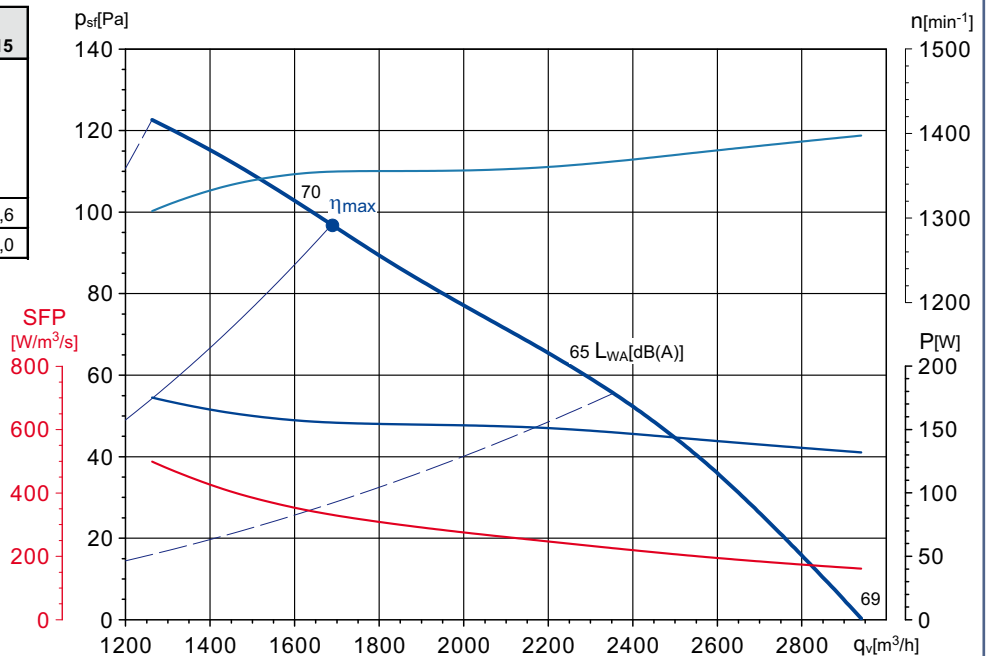
* Data at optimum efficiency working point

Norma ensayo: **ISO 5801**
Ventilador probado sin reja y con embocadura

Test standard: **ISO 5801**
Fan tested without guard and with bellmouth entry

Espectro de potencia (LwA) en dB(A) en la aspiración en punto de trabajo de presión baja (L), media (M), alta (H)

Sound power spectrum (LwA) in dB(A), at the fan inlet in low(L), medium(M) or high(H) pressure working point.



Hz	63	125	250	500	1000	2000	4000	8000	LwA
L	38	49	54	59	64	65	60	51	69
M	34	45	50	55	60	61	56	47	65
H	45	54	60	62	65	64	60	53	70



Soler&Palau
Ventilation Group