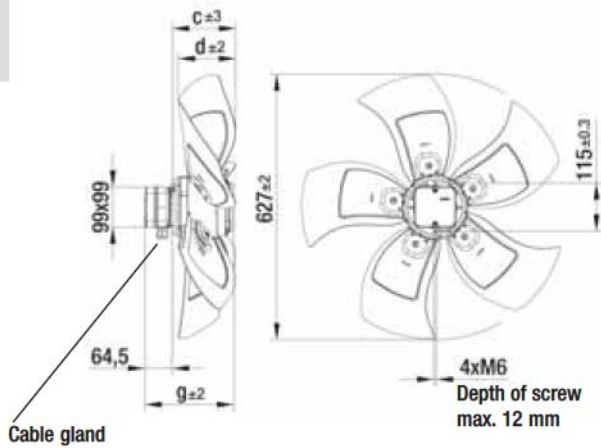


# AC axial fans

S series, Ø 630, drawings for direction of air flow "A"

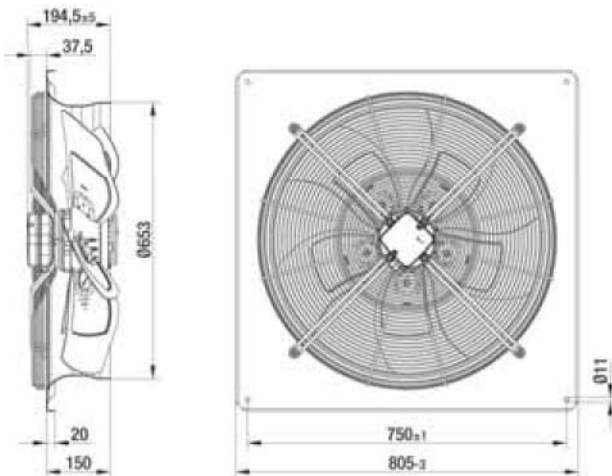
## Without attachments



"A" >

Type	Mass [kg]	c	d	g
A6D 630-AE01 -02	12.5	142.0	116.0	208.5
A6D 630-AF01 -02	12.5	134.0	96.0	208.5
A6D 630-AA01 -02	14.0	149.0	135.0	223.5
A8D 630-AD01 -02	12.5	149.0	135.0	208.5
A8D 630-AE01 -02	12.5	142.0	116.0	208.5
A6E 630-AE01 -02	12.5	142.0	116.0	208.5
A6E 630-AF01 -02	12.5	134.0	96.0	208.5
A6E 630-AA03 -02	14.0	149.0	135.0	223.5
A8E 630-AE01 -02	12.5	142.0	116.0	208.5

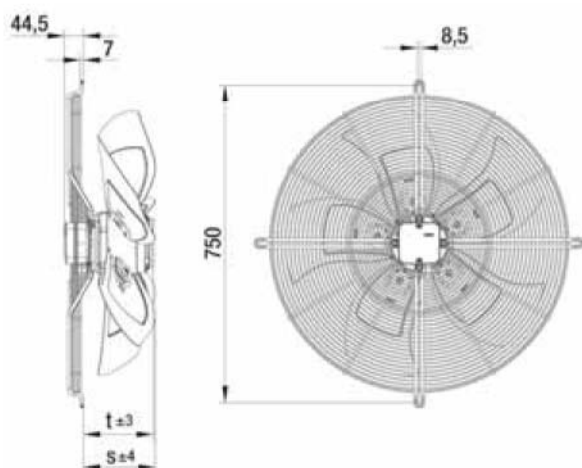
## With full square nozzle



"A" >

Type	Mass [kg]
W6D 630-DE01 -02	21.0
W6D 630-DF01 -02	21.0
W6D 630-DA01 -02	23.5
W8D 630-DD01 -02	21.0
W8D 630-DE01 -02	21.0
W6E 630-DE01 -02	21.0
W6E 630-DF01 -02	21.0
W6E 630-DA03 -02	23.5
W8E 630-DE01 -02	21.0

## With guard grille for full nozzle

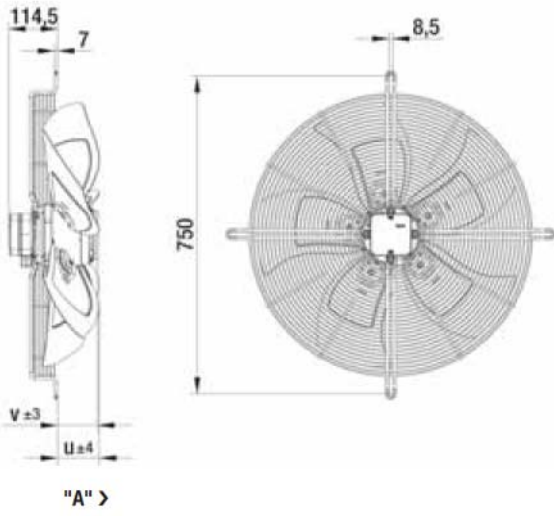


"A" >

Type	Mass [kg]	s	t
S6D 630-BE01 -02	14.5	164.0	162.0
S6D 630-BF01 -02	14.5	164.0	154.0
S6D 630-BA01 -02	17.0	179.0	169.0
S8D 630-BD01 -02	14.5	164.0	169.0
S8D 630-BE01 -02	14.5	164.0	162.0
S6E 630-BE01 -02	14.5	164.0	162.0
S6E 630-BF01 -02	14.5	164.0	154.0
S6E 630-BA03 -02	17.0	179.0	169.0
S8E 630-BE01 -02	14.5	164.0	162.0



With guard grille for short nozzle



Type	Mass [kg]	u	v
S6D 630-AE01 -02	15.0	92.0	94.0
S6D 630-AF01 -02	15.0	84.0	94.0
S6D 630-AA01 -02	17.5	99.0	109.0
S8D 630-AD01 -02	15.0	99.0	94.0
S8D 630-AE01 -02	15.0	92.0	94.0
S6E 630-AE01 -02	15.0	92.0	94.0
S6E 630-AF01 -02	15.0	84.0	94.0
S6E 630-AA03 -02	17.5	99.0	109.0
S8E 630-AE01 -02	15.0	92.0	94.0