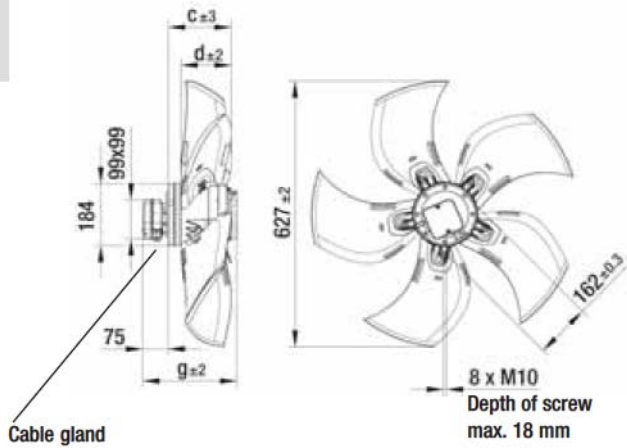


AC axial fans

S series, Ø 630, drawings for direction of air flow "A"



Without attachments

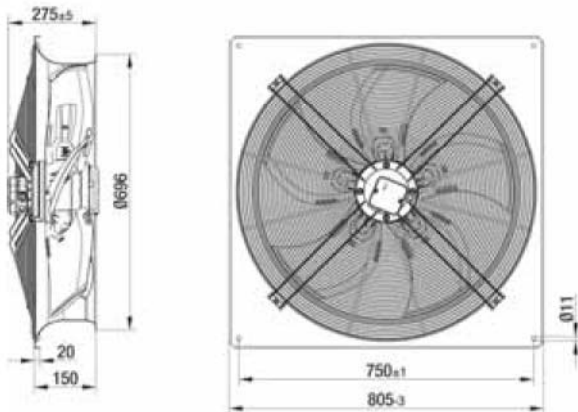


"A" >

Type	Mass [kg]	c	d	g
A4D 630-AN01 -02	20.0	175.0	133.0	251.0
A4D 630-A001 -02	20.0	165.0	118.0	251.0
A4D 630-AJ01 -02	24.0	185.0	147.0	276.0



With full square nozzle

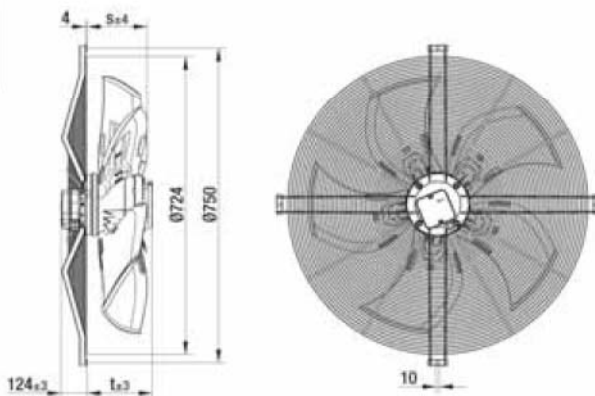


"A" >

Type	Mass [kg]
W4D 630-DN01 -02	38.0
W4D 630-DO01 -02	38.0
W4D 630-DJ01 -02	42.0



With guard grille for full nozzle



"A" >

Type	Mass [kg]	s	t
S4D 630-BN01 -02	29.0	126.0	127.0
S4D 630-B001 -02	29.0	116.0	127.0
S4D 630-BJ01 -02	33.0	136.0	152.0

