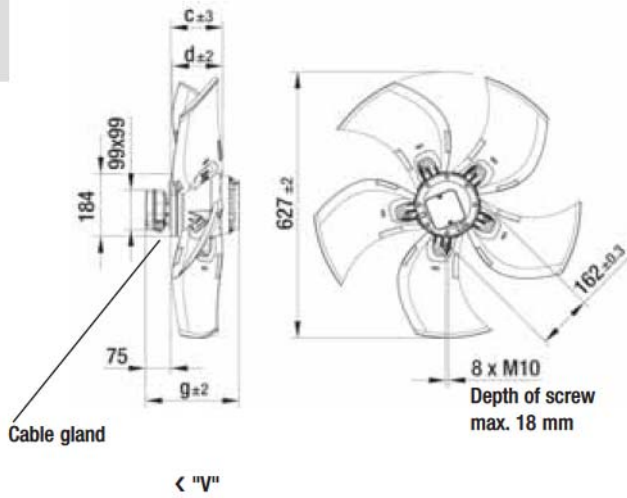


AC axial fans

S series, Ø 630, drawings for direction of air flow "V"



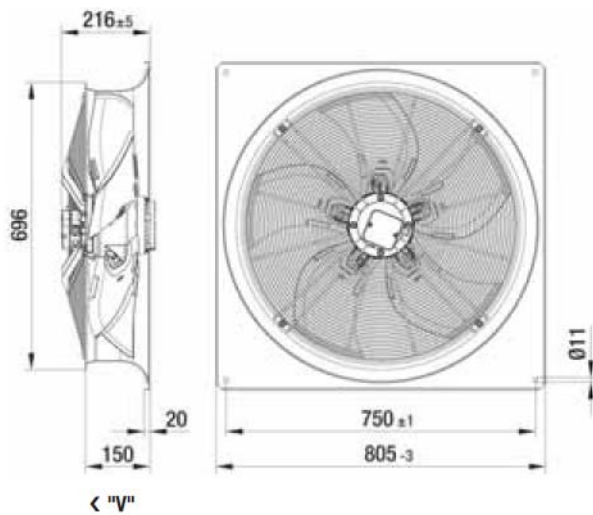
Without attachments



| Type | Mass [kg] | c | d | g |
|------------------|-----------|-------|-------|-------|
| A4D 630-AN01 -01 | 20.0 | 147.0 | 133.0 | 251.0 |
| A4D 630-A001 -01 | 20.0 | 142.0 | 118.0 | 251.0 |
| A4D 630-AJ01 -01 | 24.0 | 152.0 | 147.0 | 276.0 |



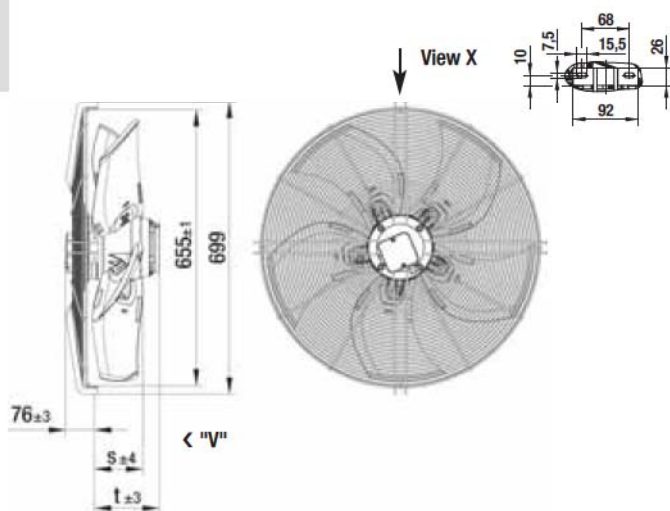
With full square nozzle



| Type | Mass [kg] |
|------------------|-----------|
| W4D 630-GN01 -01 | 37.0 |
| W4D 630-GO01 -01 | 37.0 |
| W4D 630-GJ01 -01 | 41.0 |



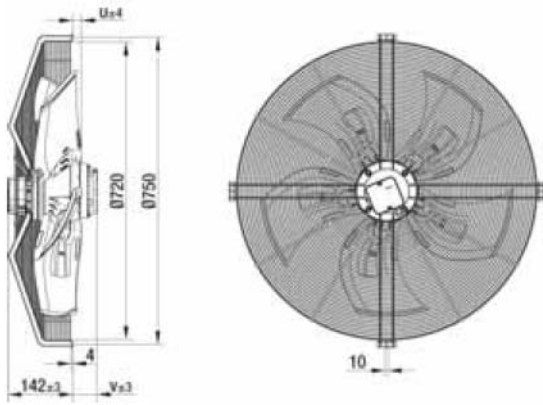
With guard grille for full nozzle



| Type | Mass [kg] | s | t |
|------------------|-----------|-------|-------|
| S4D 630-CN01 -01 | 28.0 | 146.0 | 175.0 |
| S4D 630-CO01 -01 | 28.0 | 141.0 | 175.0 |
| S4D 630-CJ01 -01 | 32.0 | 76.0 | 151.0 |



With guard grille for short nozzle

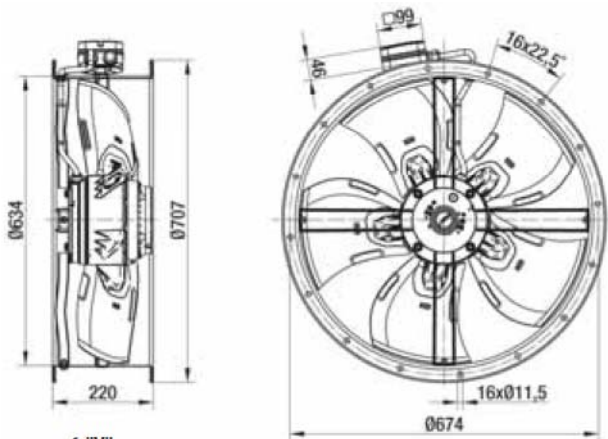


< "V"

| Type | Mass [kg] | u | v |
|------------------|-----------|------|-------|
| S4D 630-AN01 -01 | 29.5 | 80.0 | 109.0 |
| S4D 630-A001 -01 | 29.5 | 75.0 | 109.0 |
| S4D 630-AJ01 -01 | 33.5 | 85.0 | 134.0 |



In-line duct fan



< "V"

| Type | Mass [kg] |
|-----------------|-----------|
| W4D630-IN01 -01 | 27.9 |