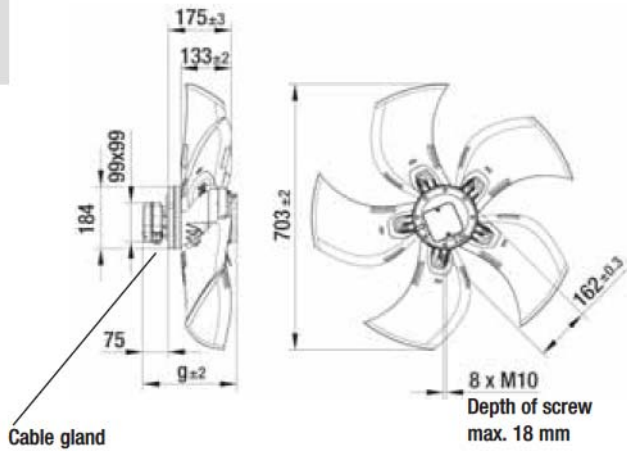


AC axial fans

S series, Ø 710, drawings for direction of air flow "A"



Without attachments

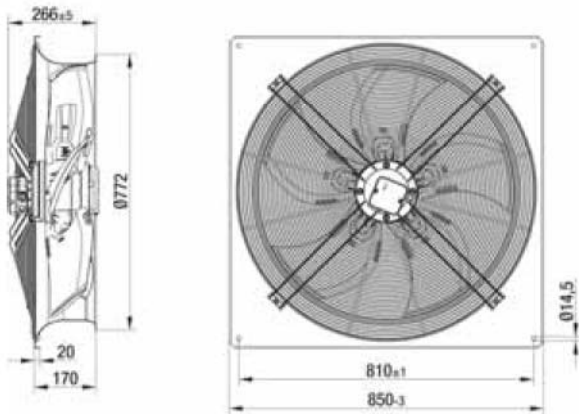


"A" >

Type	Mass	
	[kg]	g
A4D 710-AL01 -02	25.0	276.0
A6D 710-AN01 -02	21.0	251.0



With full square nozzle

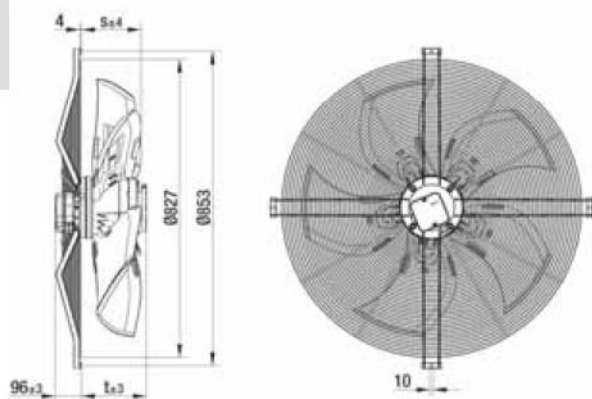


"A" >

Type	Mass	
	[kg]	
W4D 710-DL01 -02	44.0	
W6D 710-DN01 -02	40.0	



With guard grille for full nozzle



"A" >

Type	Mass [kg]		
		s	t
S4D 710-BL01 -02	35.0	144.0	160.0
S6D 710-BN01 -02	32.0	154.0	155.0

