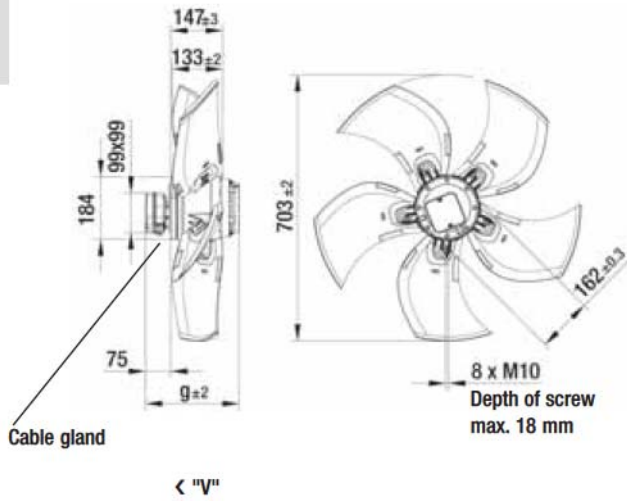


# AC axial fans

S series, Ø 710, drawings for direction of air flow "V"



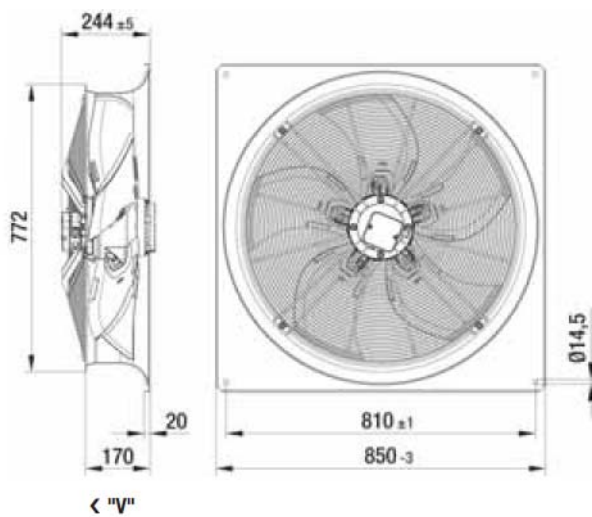
## Without attachments



Type	Mass	
	[kg]	g
A4D 710-AL01 -01	25.0	276.0
A6D 710-AN01 -01	21.0	251.0



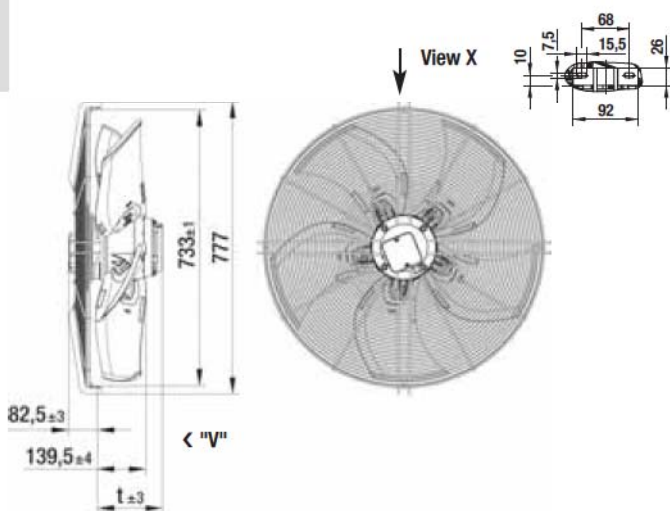
## With full square nozzle



Type	Mass	
	[kg]	
W4D 710-GL01 -01	43.0	
W6D 710-GN01 -01	39.0	



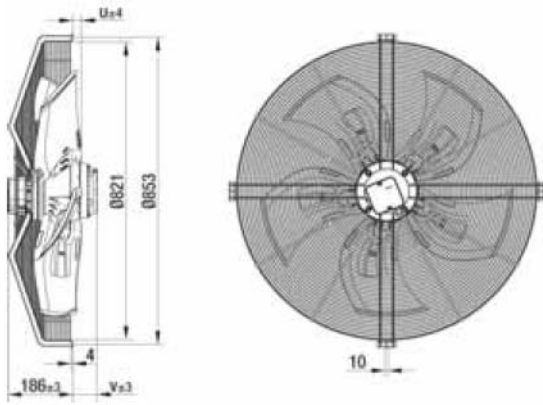
## With guard grille for full nozzle



Type	Mass	
	[kg]	t
S4D 710-CL01 -01	34.0	193.5
S6D 710-CN01 -01	30.0	168.5



### With guard grille for short nozzle

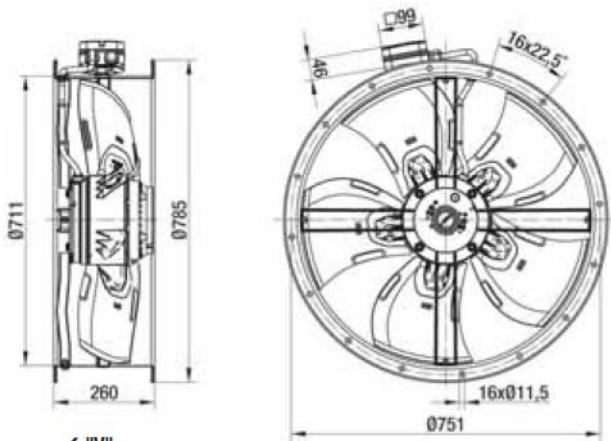


< "V"

Type	Mass [kg]	u	v
S4D 710-AL01 -01	35.5	31.0	90.0
S6D 710-AN01 -01	31.5	27.0	65.0



### In-line duct fan



< "V"

Type	Mass [kg]
W4D710-IL01 -01	40.0
W6D710-IN01 -01	36.0