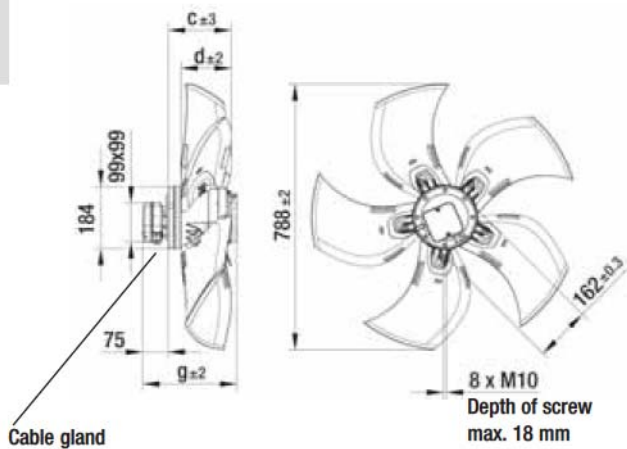


# AC axial fans

S series, Ø 800, drawings for direction of air flow "A"

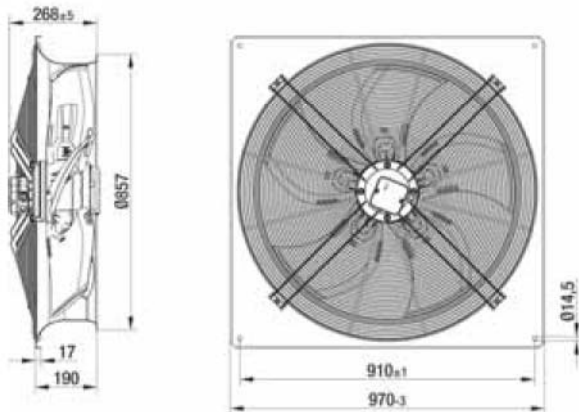
## Without attachments



"A" >

Type	Mass [kg]	c	d	g
A6D 800-AN01 -02	22.0	175.0	133.0	251.0
A6D 800-AO01 -02	22.0	165.0	188.0	251.0
A6D 800-AJ01 -02	26.0	185.0	147.0	276.0
A6D 800-AS01 -02	29.0	194.0	162.0	296.0
A6D 800-AP01 -02	29.0	185.0	147.0	296.0
A8D 800-AN01 -02	22.0	175.0	133.0	251.0
A8D 800-AT03 -02	26.0	194.0	162.0	276.0
A8D 800-AJ01 -02	26.0	185.0	147.0	276.0
AZD 800-AM03 -02	22.0	185.0	147.0	251.0

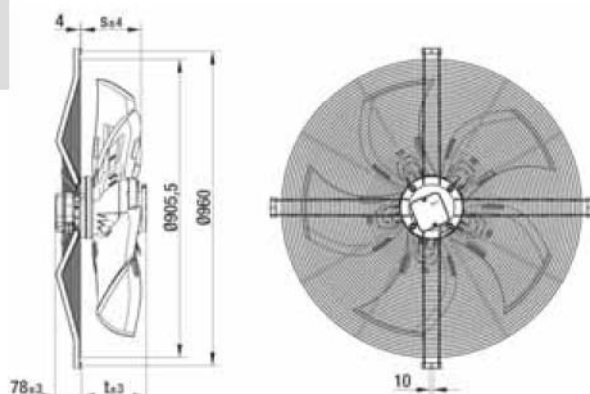
## With full square nozzle



"A" >

Type	Mass [kg]
W6D 800-DN01 -02	43.5
W6D 800-DO01 -02	43.5
W6D 800-DJ01 -02	47.5
W6D 800-DS01 -02	50.5
W6D 800-DP01 -02	50.5
W8D 800-DN01 -02	43.5
W8D 800-DT03 -02	47.5
W8D 800-DJ01 -02	47.5
WZD 800-DM03 -02	43.5

## With guard grille for full nozzle



"A" >

Type	Mass [kg]	s	t
S6D 800-BN01 -02	33.0	172.0	173.0
S6D 800-BO01 -02	33.0	162.0	173.0
S6D 800-BJ01 -02	37.0	182.0	198.0
S6D 800-BS01 -02	40.0	191.0	218.0
S6D 800-BP01 -02	40.0	182.0	218.0
S8D 800-BN01 -02	34.0	172.0	173.0
S8D 800-BT03 -02	37.0	191.0	198.0
S8D 800-BJ01 -02	37.0	182.0	198.0
SZD 800-BM03 -02	34.0	182.0	173.0