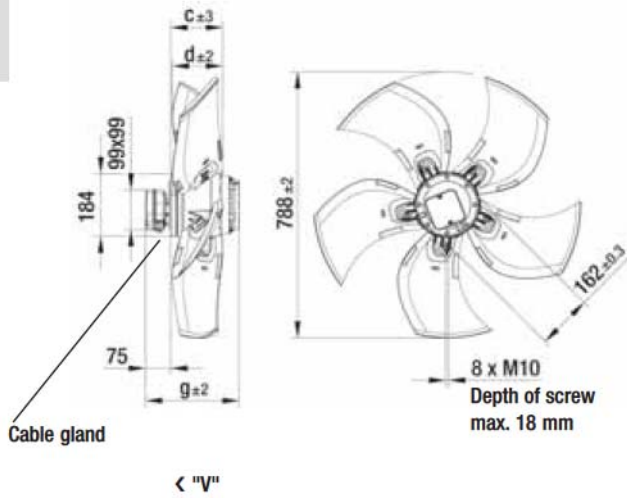


# AC axial fans

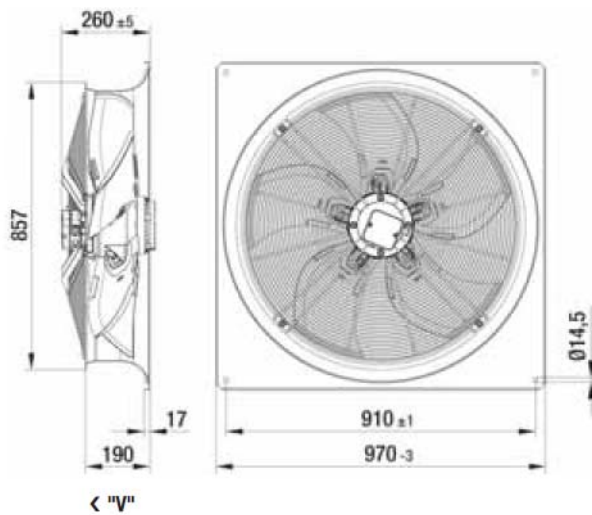
S series, Ø 800, drawings for direction of air flow "V"

## Without attachments



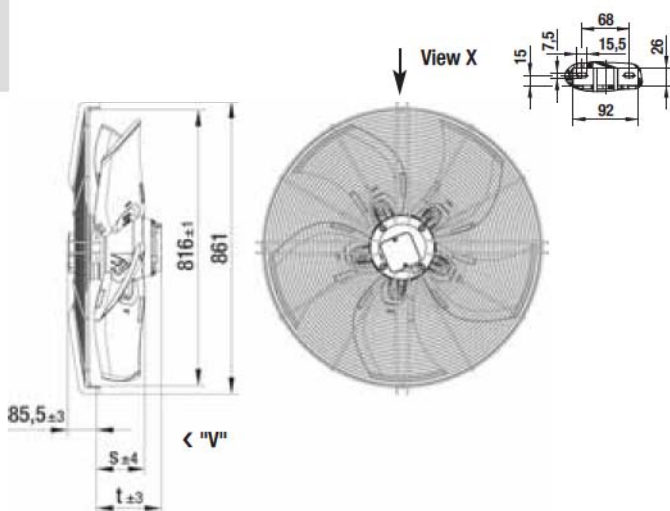
Type	Mass [kg]	c	d	g
A6D 800-AN01 -01	22.0	147.0	133.0	251.0
A6D 800-AO01 -01	22.0	142.0	118.0	251.0
A6D 800-AJ01 -01	26.0	152.0	147.0	276.0
A6D 800-AS01 -01	29.0	157.0	162.0	296.0
A6D 800-AP01 -01	29.0	152.0	147.0	296.0
A8D 800-AN01 -01	22.0	147.0	133.0	251.0
A8D 800-AT03 -01	26.0	157.0	162.0	276.0
A8D 800-AJ01 -01	26.0	152.0	147.0	276.0
AZD 800-AM03 -01	22.0	152.0	147.0	251.0

## With full square nozzle



Type	Mass [kg]
W6D 800-GN01 -01	42.0
W6D 800-GO01 -01	42.0
W6D 800-GJ01 -01	46.0
W6D 800-GS01 -01	49.0
W6D 800-GP01 -01	49.0
W8D 800-GN01 -01	42.0
W8D 800-GT03 -01	46.0
W8D 800-GJ01 -01	46.0
WZD 800-GM03 -01	42.0

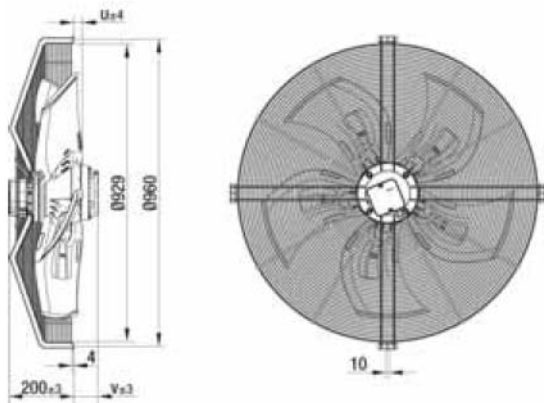
## With guard grille for full nozzle



Type	Mass [kg]	s	t
S6D 800-CN01 -01	32.0	136.5	165.5
S6D 800-CO01 -01	32.0	131.5	165.5
S6D 800-CJ01 -01	36.0	141.5	190.5
S6D 800-CS01 -01	39.0	146.5	210.5
S6D 800-CP01 -01	39.0	141.5	210.5
S8D 800-CN01 -01	32.0	136.5	165.5
S8D 800-CT03 -01	36.0	146.5	190.5
S8D 800-CJ01 -01	36.0	141.5	190.5
SZD 800-CM03 -01	32.0	141.5	165.5



### With guard grille for short nozzle

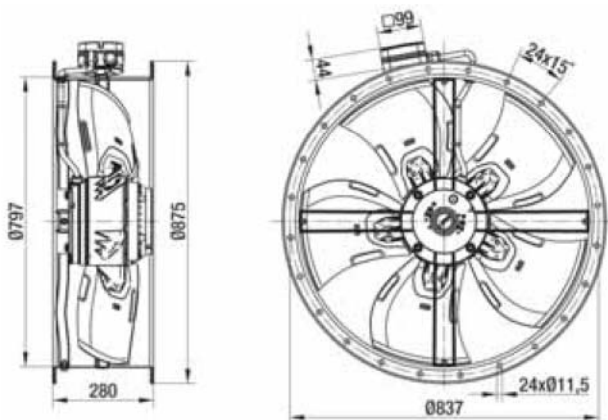


◀ "V"

Type	Mass [kg]	u	v
S6D 800-AN01 -01	34.0	17.0	51.0
S6D 800-A001 -01	34.0	17.0	51.0
S6D 800-AJ01 -01	38.0	27.0	76.0
S6D 800-AS01 -01	41.0	32.0	96.0
S6D 800-AP01 -01	41.0	27.0	96.0
S8D 800-AN01 -01	34.0	22.0	51.0
S8D 800-AT03 -01	38.0	32.0	76.0
S8D 800-AJ01 -01	38.0	27.0	76.0
SZD 800-AM03 -01	34.0	17.0	51.0



### In-line duct fan



◀ "V"

Type	Mass [kg]
W6D800-IJ01 -01	43.8