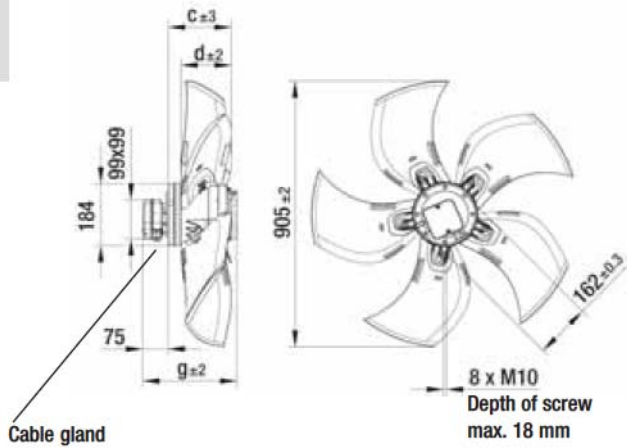


AC axial fans

S series, Ø 910, drawings for direction of air flow "A"



Without attachments

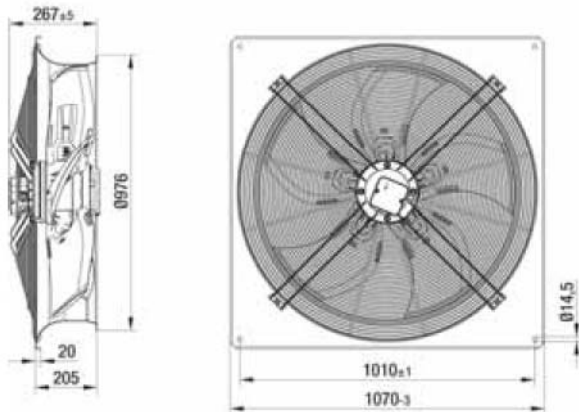


"A" >

Type	Mass [kg]	c	d	g
A6D 910-A001 -02	22.0	145.0	104.0	251.0
A6D 910-AK01 -02	27.0	154.0	115.0	276.0
A6D 910-AL01 -02	27.0	145.0	104.0	276.0
A6D 910-AP01 -02	30.0	157.0	123.0	296.0
A6D 910-AQ01 -02	30.0	154.0	115.0	296.0
A6D 910-AR01 -02	30.0	145.0	104.0	296.0
A8D 910-AN07 -02	22.0	154.0	115.0	251.0
A8D 910-AJ03 -02	27.0	157.0	123.0	276.0
AZD 910-AM03 -02	22.0	157.0	123.0	251.0
AZD 910-AN05 -02	22.0	154.0	115.0	251.0



With full square nozzle

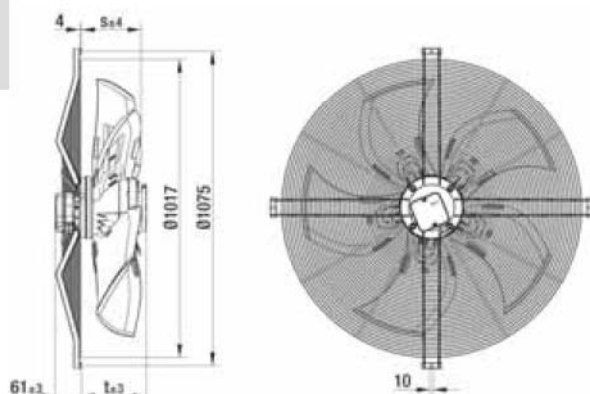


"A" >

Type	Mass [kg]
W6D910-DO01 -02	43.5
W6D910-DK01 -02	48.5
W6D910-DL01 -02	48.5
W6D910-DP01 -02	51.5
W6D910-DQ01 -02	51.5
W6D910-DR01 -02	51.5
W8D910-DN07 -02	43.5
W8D910-DJ03 -02	48.5
WZD910-DM03 -02	43.5
WZD910-DN05 -02	43.5



With guard grille for full nozzle



"A" >

Type	Mass [kg]	s	t
S6D 910-BO01 -02	34.0	159.0	195.0
S6D 910-BK01 -02	39.0	168.0	215.0
S6D 910-BL01 -02	39.0	159.0	215.0
S6D 910-BP01 -02	42.0	171.0	235.0
S6D 910-BQ01 -02	42.0	168.0	235.0
S6D 910-BR01 -02	42.0	159.0	235.0
S8D 910-BN07 -02	34.0	168.0	195.0
S8D 910-BJ03 -02	39.0	171.0	215.0
SZD 910-BM03 -02	34.0	171.0	195.0
SZD 910-BN05 -02	34.0	168.0	195.0