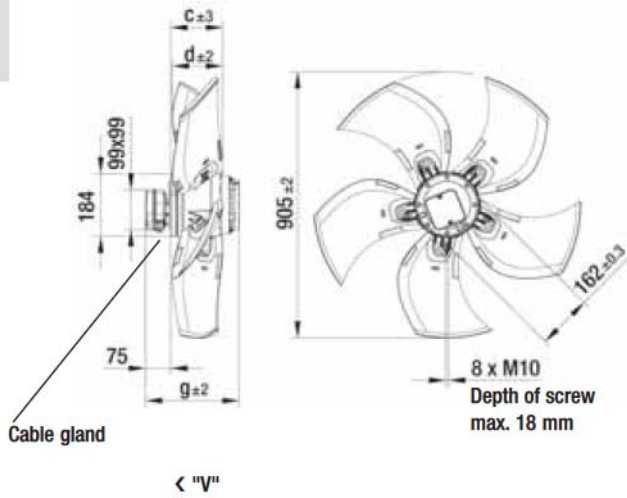


AC axial fans

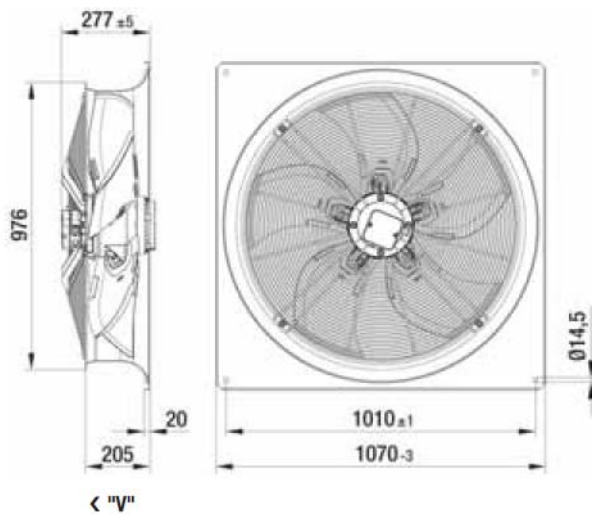
S series, Ø 910, drawings for direction of air flow "V"

Without attachments



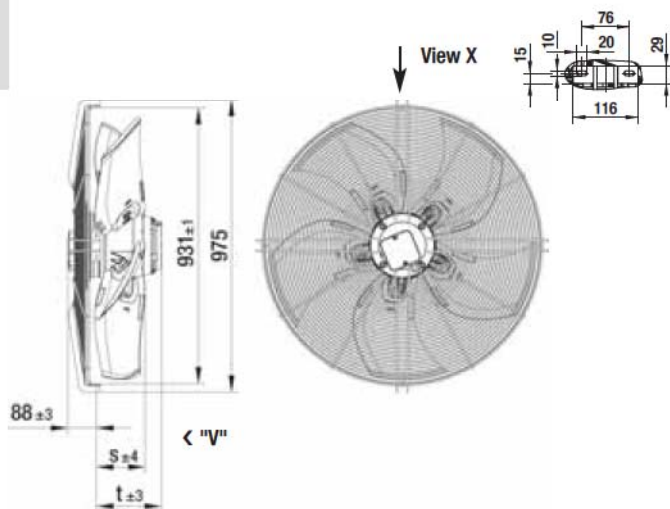
Type	Mass [kg]	c	d	g
A6D 910-A001 -01	22.0	147.0	104.0	251.0
A6D 910-AK01 -01	27.0	152.0	115.0	276.0
A6D 910-AL01 -01	27.0	147.0	104.0	276.0
A6D 910-AP01 -01	30.0	156.0	123.0	296.0
A6D 910-AQ01 -01	30.0	152.0	115.0	296.0
A6D 910-AR01 -01	30.0	147.0	104.0	296.0
A8D 910-AN07 -01	22.0	152.0	115.0	251.0
A8D 910-AJ03 -01	27.0	156.0	123.0	276.0
AZD 910-AM03 -01	22.0	157.0	123.0	251.0
AZD 910-AN05 -01	22.0	152.0	115.0	251.0

With full square nozzle



Type	Mass [kg]
W6D910-G001 -01	42.0
W6D910-GK01 -01	47.0
W6D910-GL01 -01	47.0
W6D910-GP01 -01	50.0
W6D910-GQ01 -01	50.0
W6D910-GR01 -01	50.0
W8D910-GN07 -01	42.0
W8D910-GJ03 -01	47.0
WZD910-GM03 -01	42.0
WZD910-GN05 -01	42.0

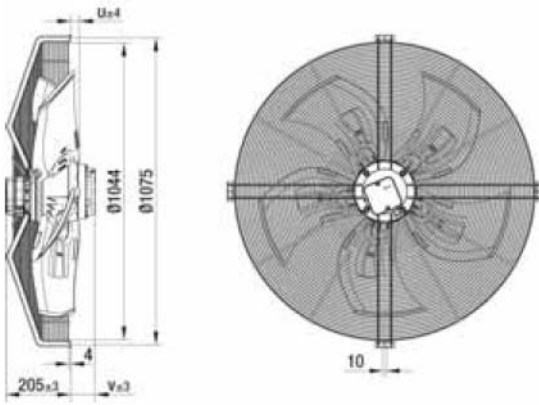
With guard grille for full nozzle



Type	Mass [kg]	s	t
S6D 910-C001 -01	33.0	134.0	163.0
S6D 910-CK01 -01	38.0	139.0	188.0
S6D 910-CL01 -01	38.0	134.0	188.0
S6D 910-CP01 -01	41.0	143.0	208.0
S6D 910-CQ01 -01	41.0	139.0	208.0
S6D 910-CR01 -01	41.0	134.0	208.0
S8D 910-CN07 -01	33.0	139.0	163.0
S8D 910-CJ03 -01	38.0	143.0	188.0
SZD 910-CM03 -01	33.0	143.0	163.0
SZD 910-CN05 -01	33.0	139.0	163.0



With guard grille for short nozzle



< "V"

Type	Mass [kg]	u	v
S6D 910-A001 -01	35.0	17.0	46.0
S6D 910-AK01 -01	40.0	22.0	71.0
S6D 910-AL01 -01	40.0	17.0	71.0
S6D 910-AP01 -01	43.0	26.0	91.0
S6D 910-AQ01 -01	43.0	22.0	91.0
S6D 910-AR01 -01	43.0	17.0	91.0
S8D 910-AN07 -01	35.0	22.0	46.0
S8D 910-AJ03 -01	40.0	26.0	71.0
SZD 910-CM03 -01	35.0	26.0	46.0
SZD 910-CN05 -01	35.0	22.0	46.0