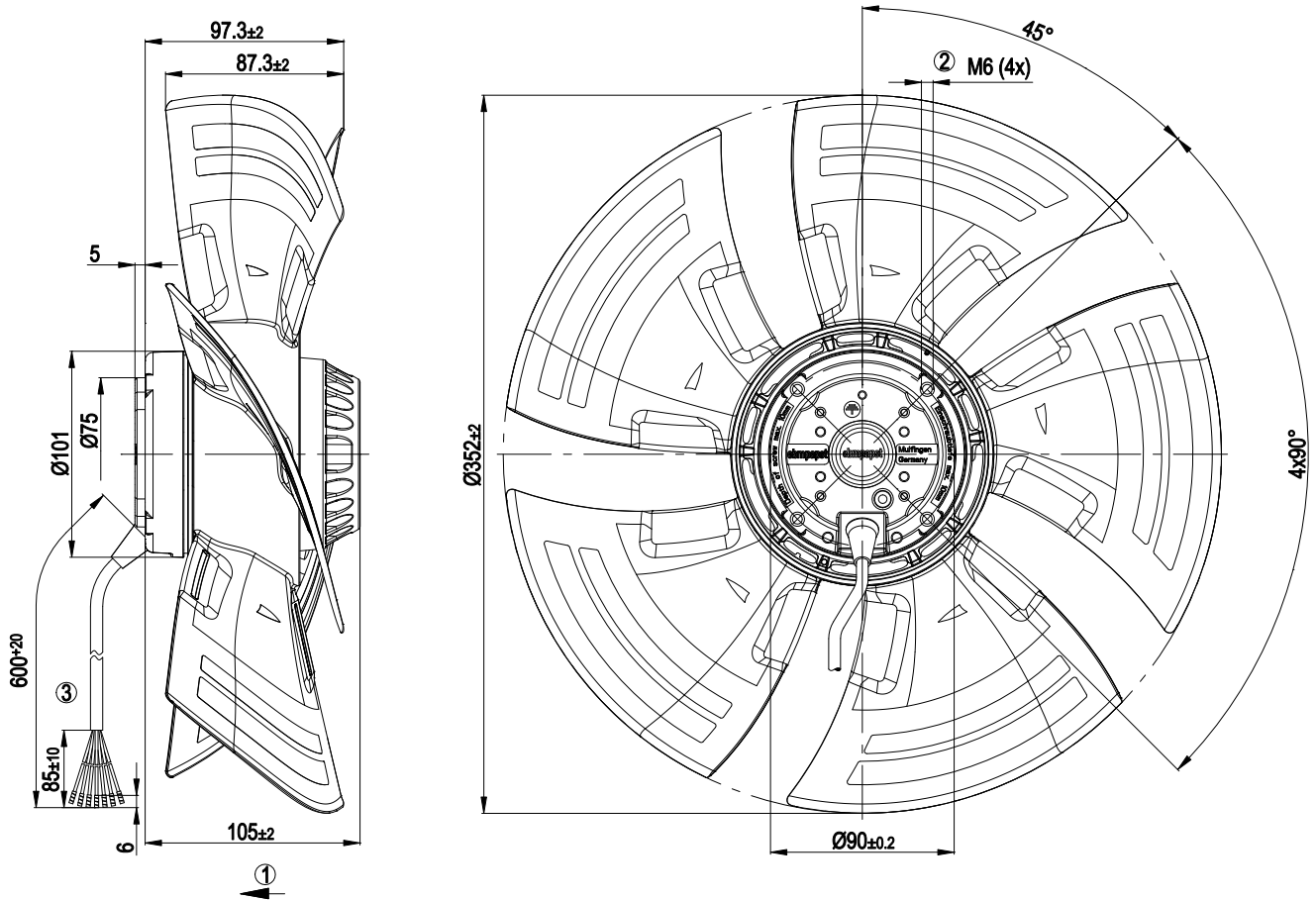


Product drawing



1	Direction of air flow "V"
2	Depth of screw max. 10 mm
3	Connection line PFA 7G 0.5mm ² , 7x brass lead tips crimped