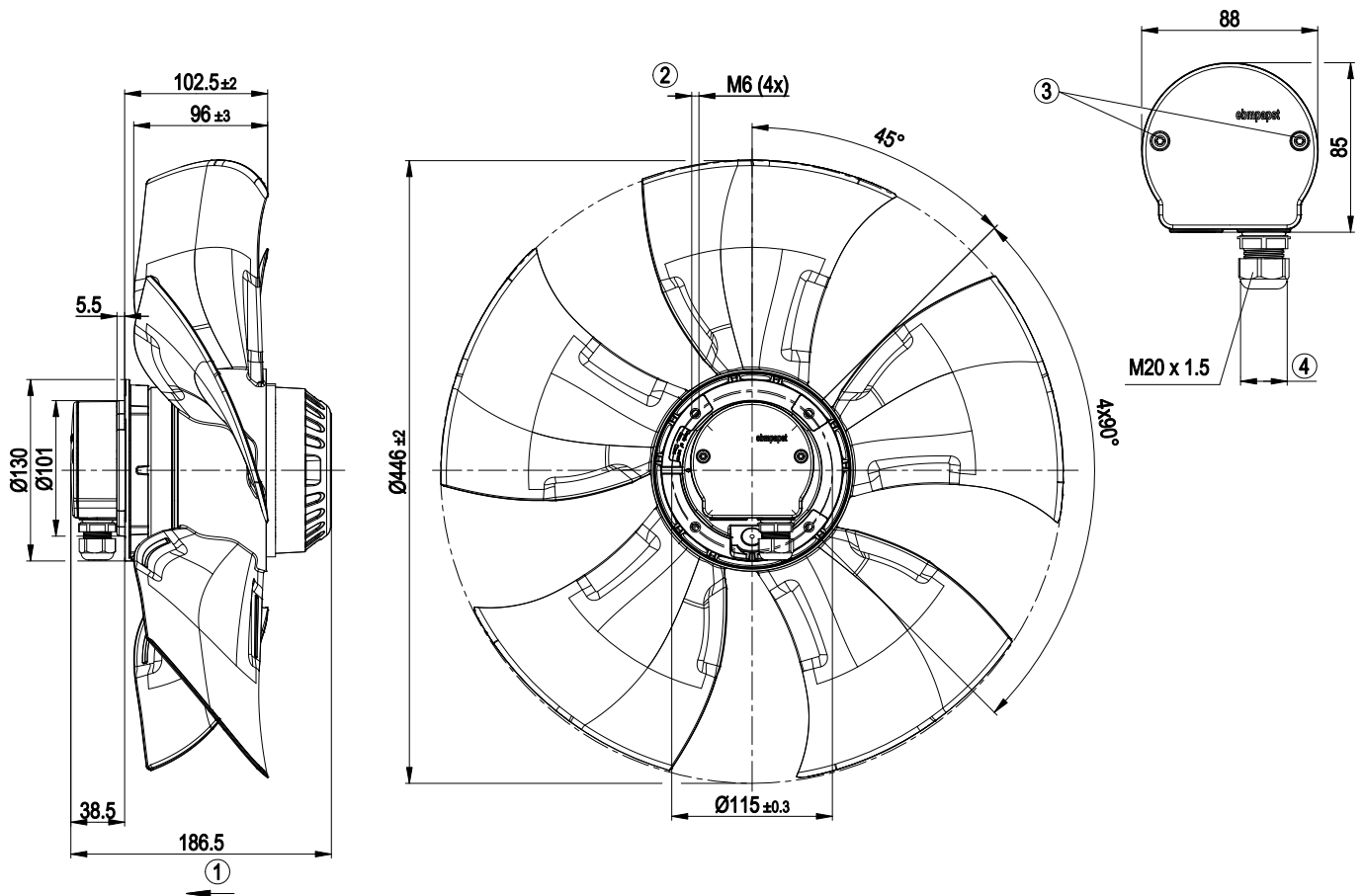


Product drawing



|   |  |
|---|--|
| 1 | Direction of air flow "V"  |
| 2 | Depth of screw max. 12 mm  |
| 3 | Tightening torque 1.0 ± 0.15 Nm                                    |
| 4 | Cable diameter: min. 6 mm, max. 12 mm; tightening torque: 2±0,2 Nm |