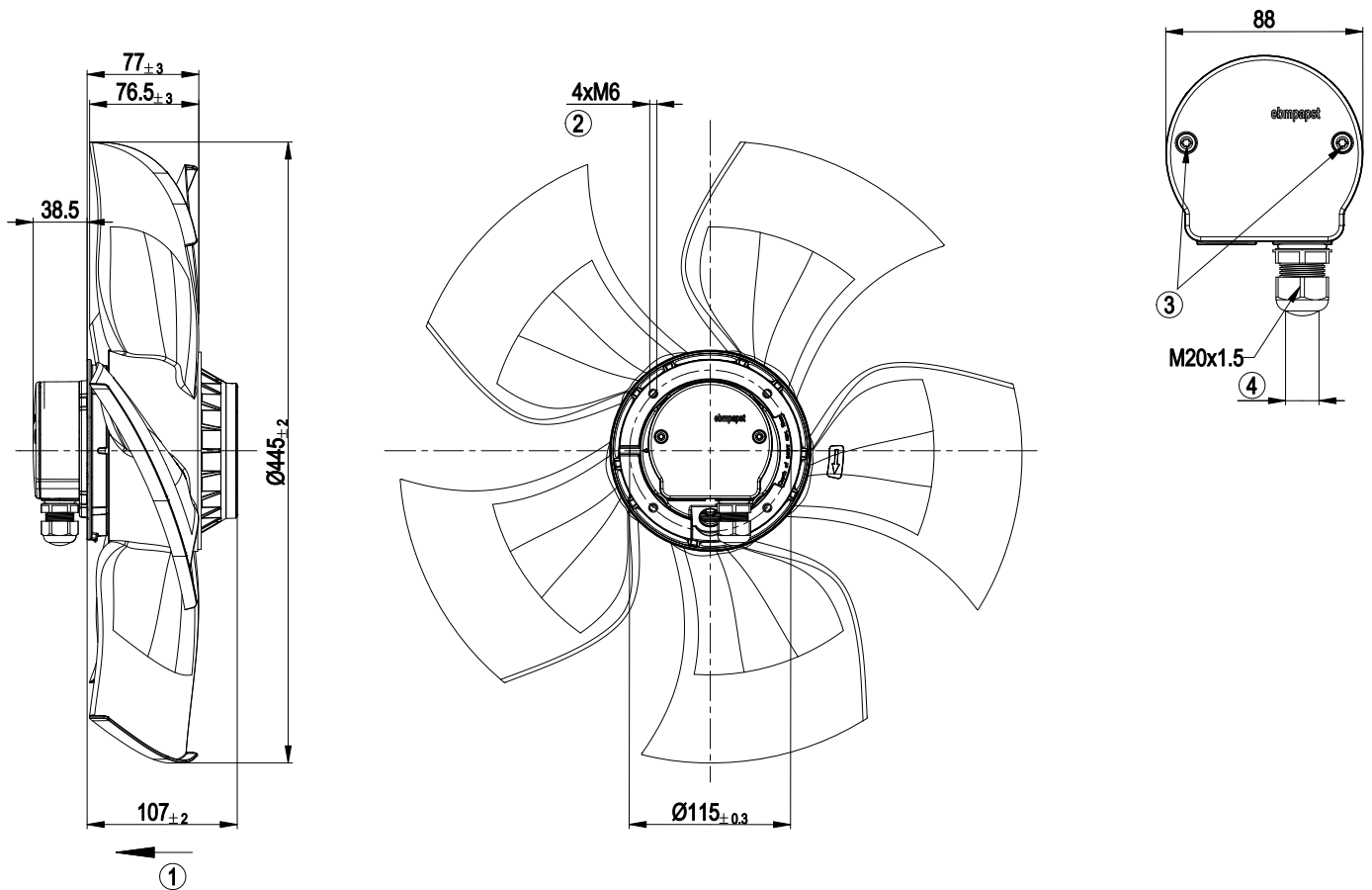


## Product drawing



1	Direction of air flow "V"
2	Depth of screw max. 10 mm
3	Tightening torque $1.0 \pm 0.15$ Nm
4	Cable diameter: min. 6 mm, max. 12 mm; tightening torque: $2 \pm 0.3$ Nm