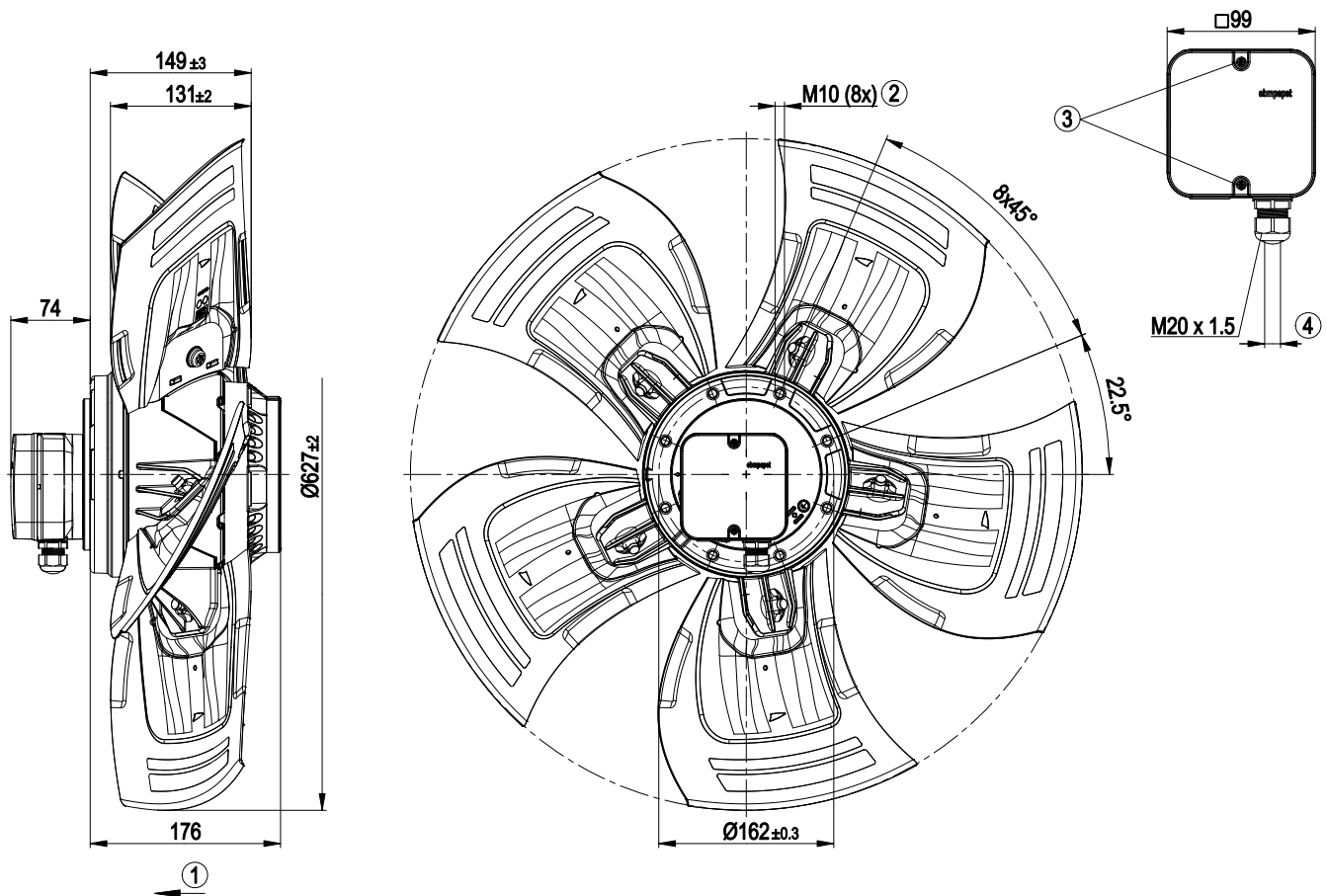


Product drawing



| | |
|---|--|
| 1 | Direction of air flow "V" |
| 2 | Depth of screw max. 18 mm |
| 3 | Tightening torque 1.5 ± 0.2 Nm |
| 4 | Cable diameter: min. 7 mm, max. 14 mm; tightening torque: 2 ± 0.3 Nm |