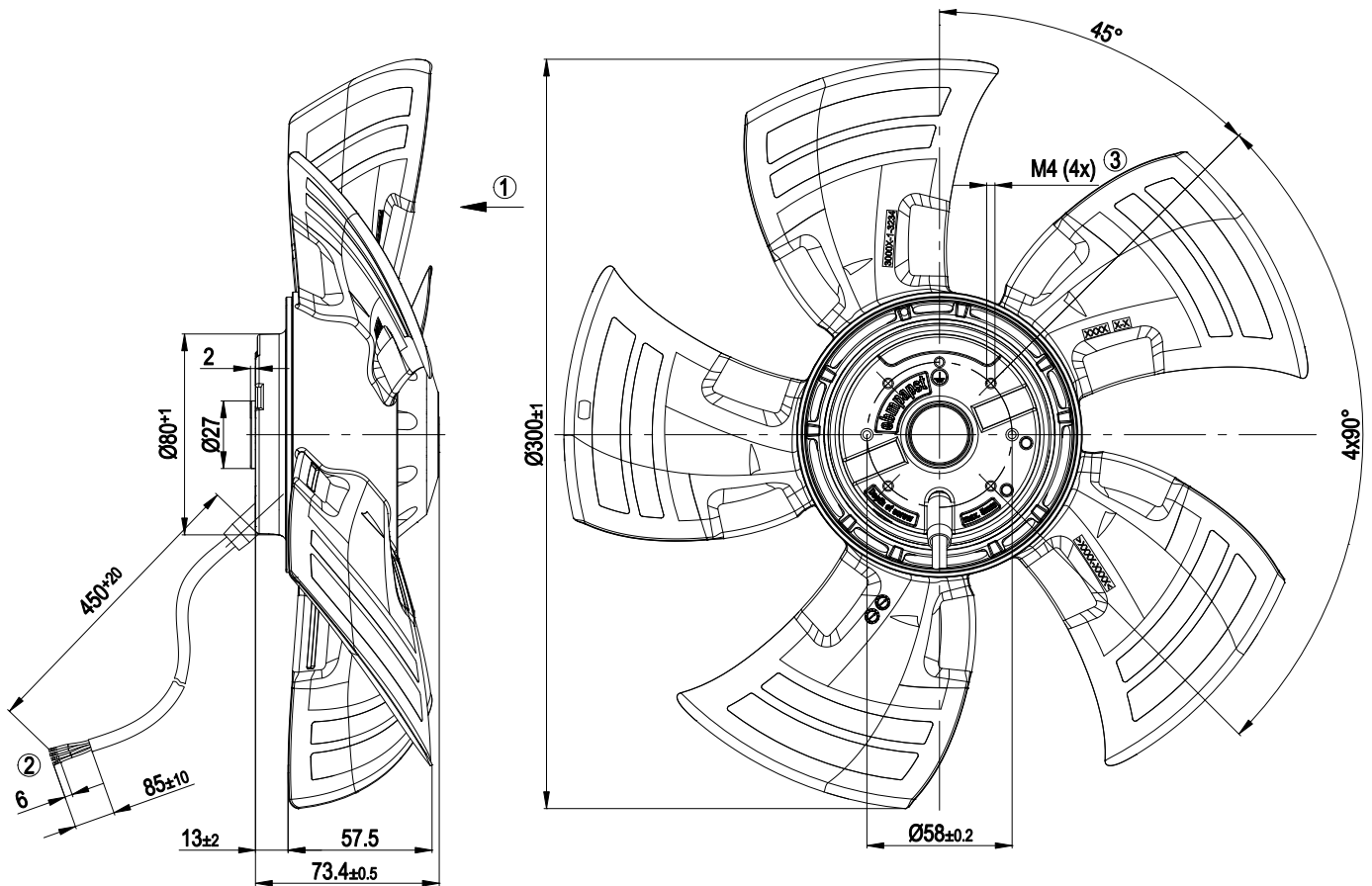
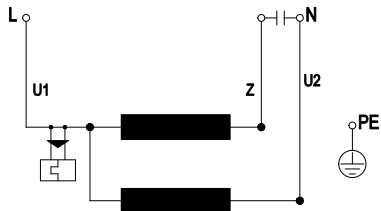


Product drawing



- | | |
|---|--|
| 1 | Direction of air flow "V" |
| 2 | Connection line H03VV-F4G0.5, 4x brass lead tips crimped |
| 3 | Depth of screw max. 5 mm |

Connection screen



U1	blue	Z	brown	U2	black
PE	green/yellow				