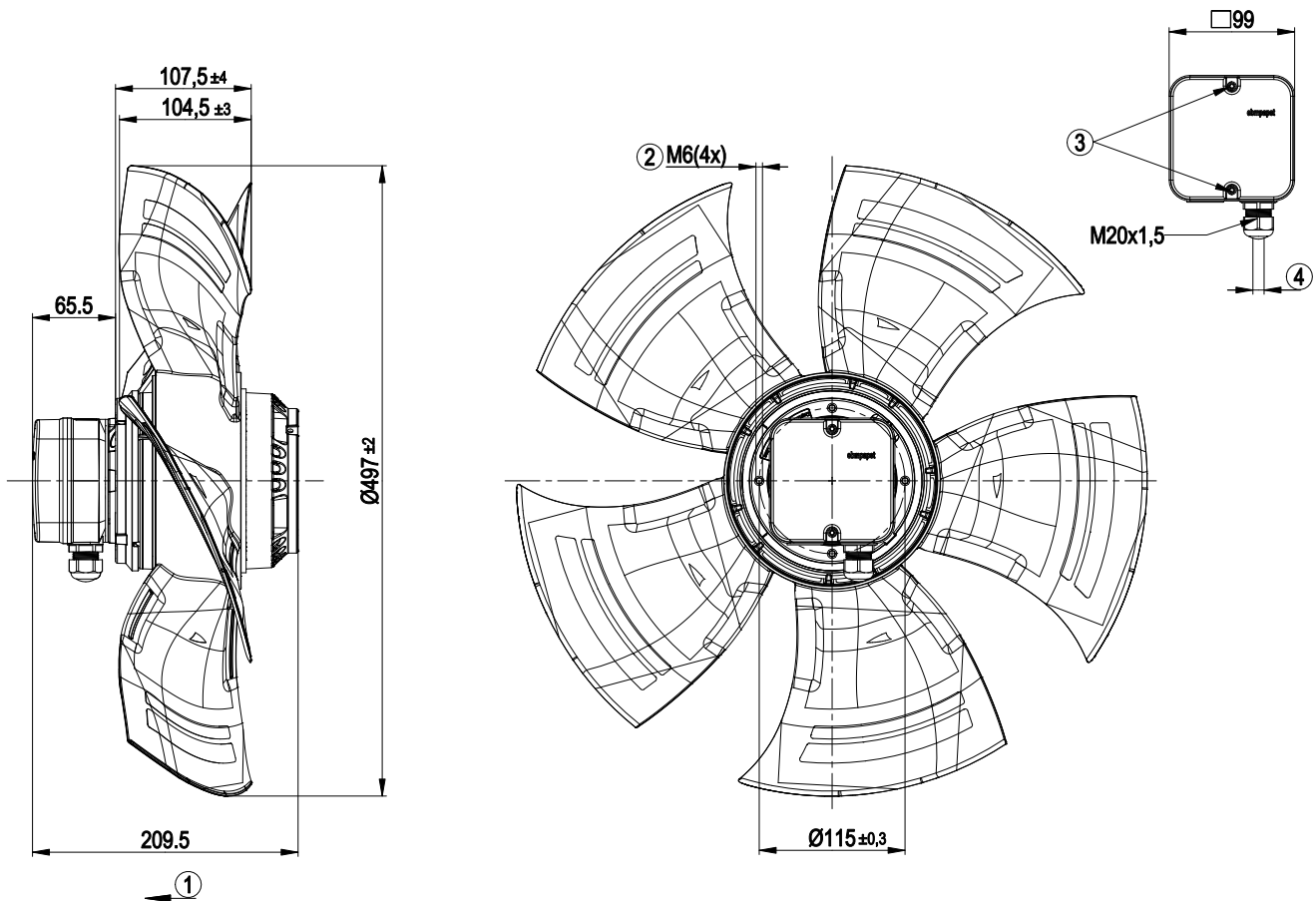


Product drawing



1	Direction of air flow "V"
2	Screw depth max. 12 mm
3	Tightening torque 1.5Nm±0.2
4	Cable diameter: min. 6 mm, max. 12 mm; tightening torque: 2±0.3 Nm