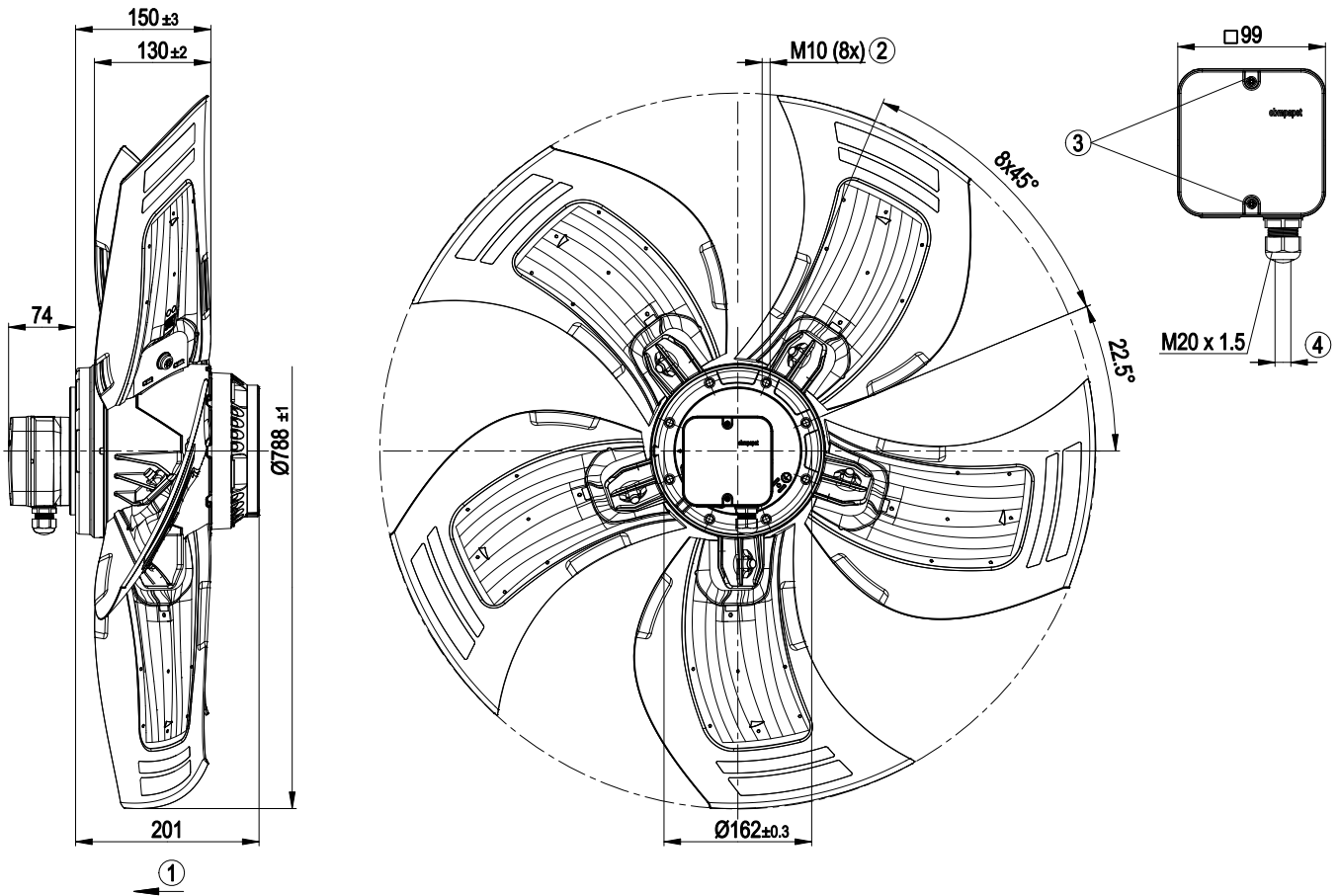


## Product drawing



|   |  |
|---|--|
| 1 | Direction of air flow "V"  |
| 2 | Depth of screw max. 18 mm  |
| 3 | Tightening torque $1.5 \pm 0.2$ Nm                                       |
| 4 | Cable diameter: min. 7 mm, max. 14 mm, tightening torque: $2 \pm 0.3$ Nm |