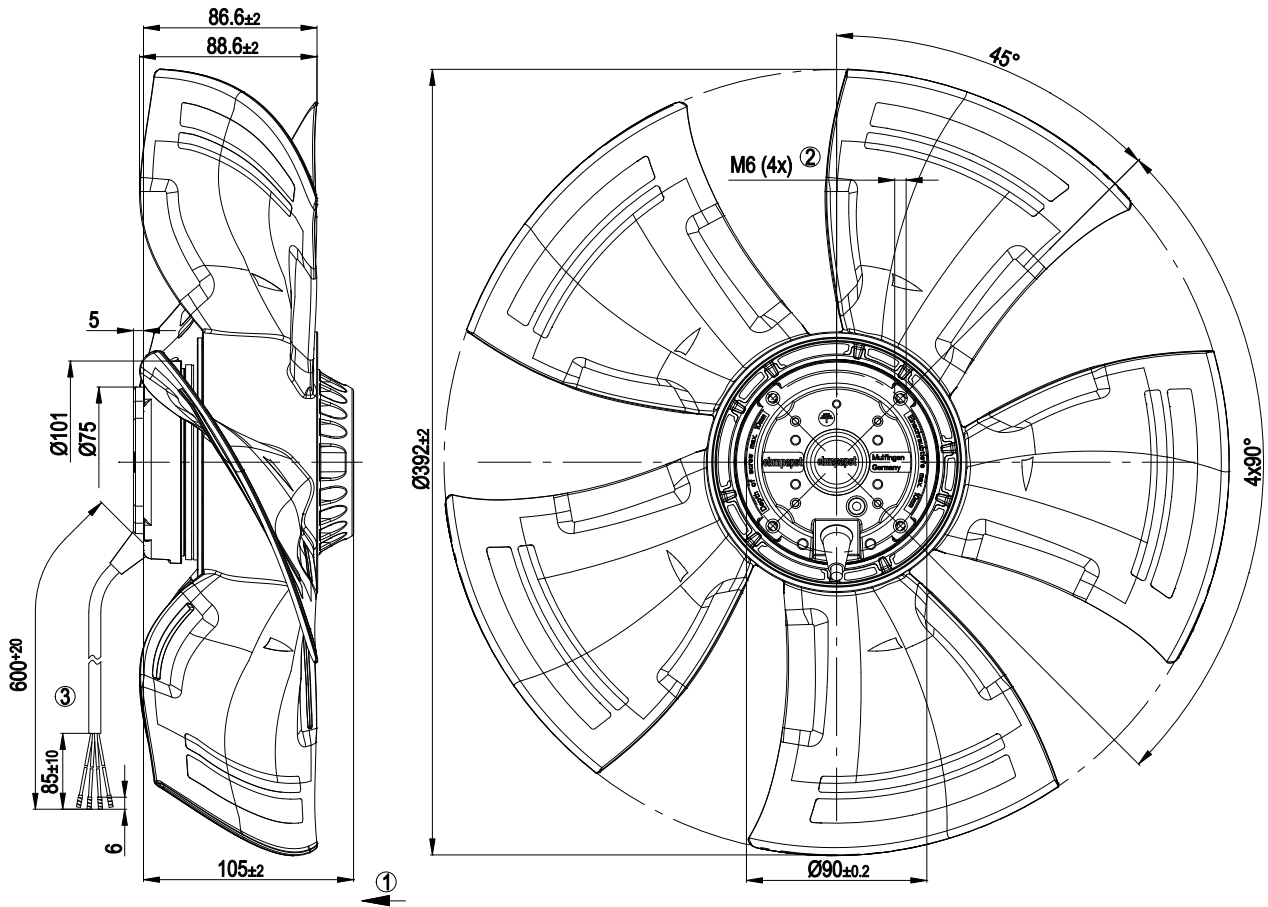
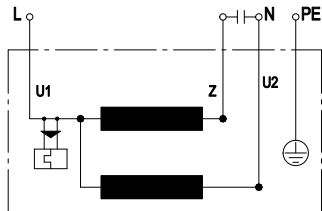


Product drawing



| | |
|---|---|
| 1 | Direction of air flow "V" |
| 2 | Depth of screw max. 10 mm |
| 3 | Connection line silicone 4G 0.5 mm ² , 4 x brass lead tips crimped |

Connection screen



| | | | | | |
|----|--------------|---|-------|----|-------|
| U1 | blue | Z | brown | U2 | black |
| PE | green/yellow | | | | |