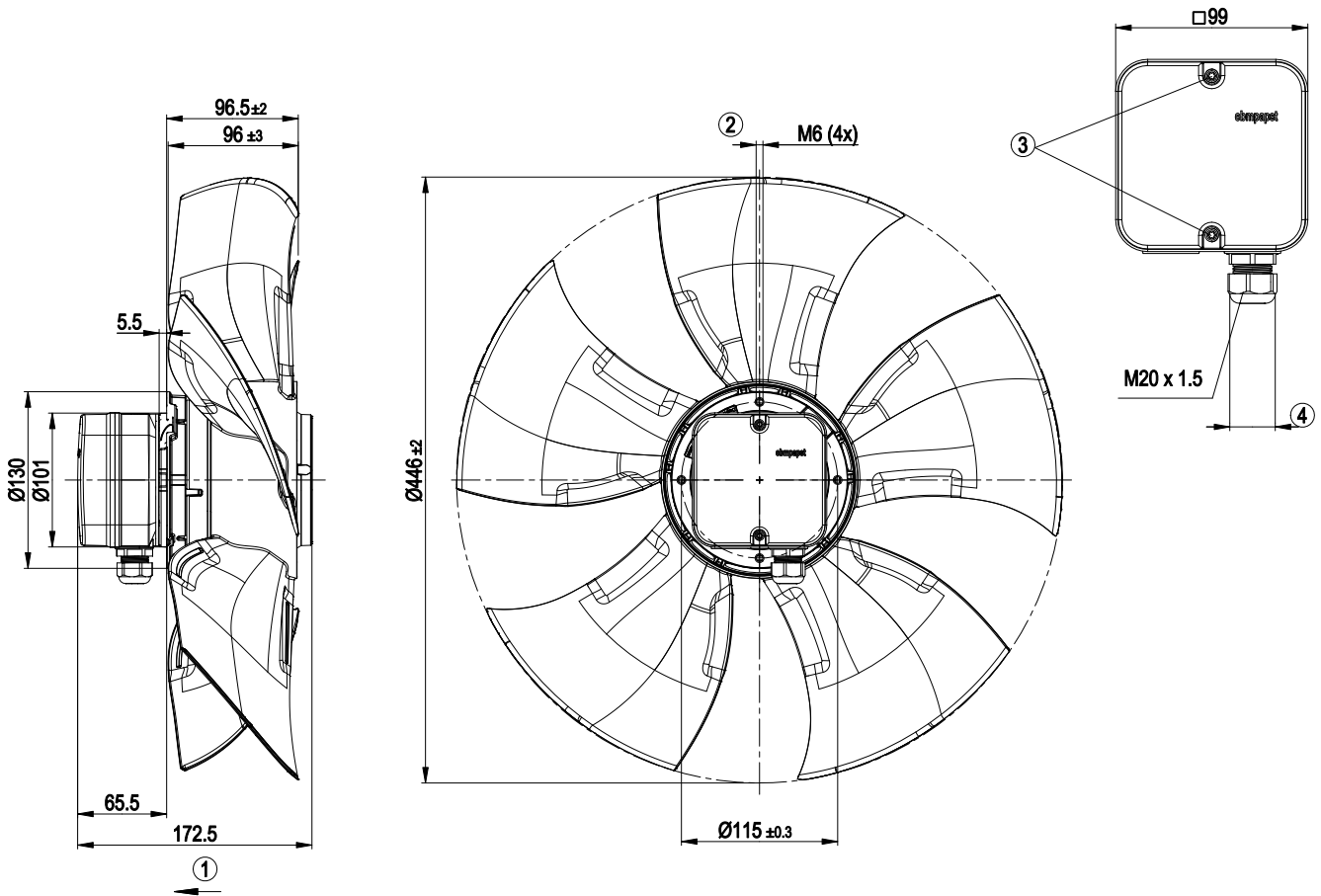
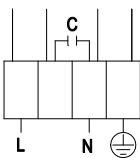


Product drawing



1	Direction of air flow "V"
2	Depth of screw max. 10 mm
3	Tightening torque 0.8 ± 0.15 Nm
4	Cable diameter: min. 6 mm, max. 12 mm; tightening torque: 2 ± 0.2 Nm

Connection screen



L	= U1 = blue	Z	brown	N	= U2 = black
PE	green/yellow				