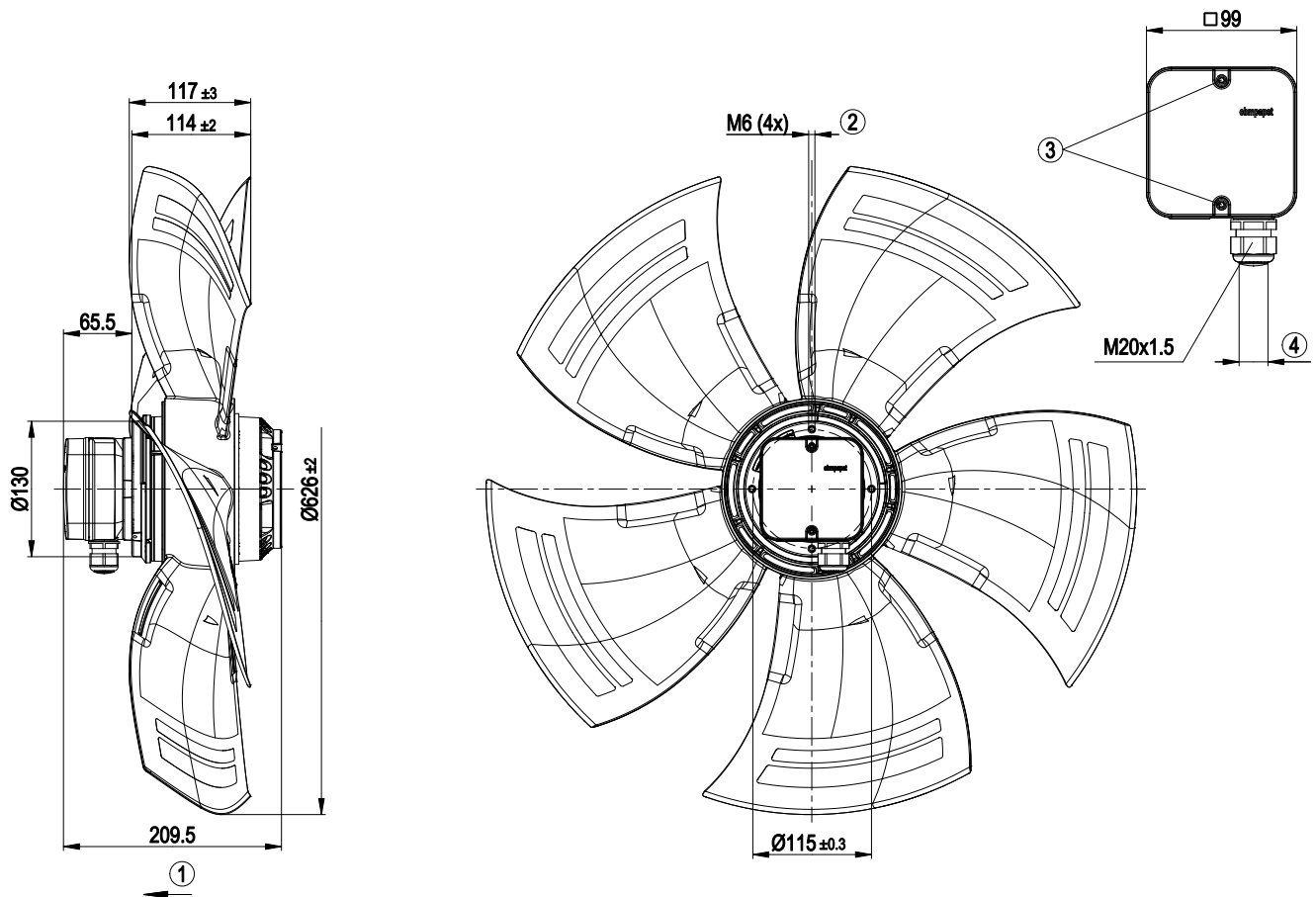


## Product drawing



1	Direction of air flow "V"
2	Depth of screw max. 12 mm
3	Tightening torque $1.5 \pm 0.2$ Nm
4	Cable diameter: min. 6 mm, max. 12 mm, tightening torque: $2 \pm 0.3$ Nm