

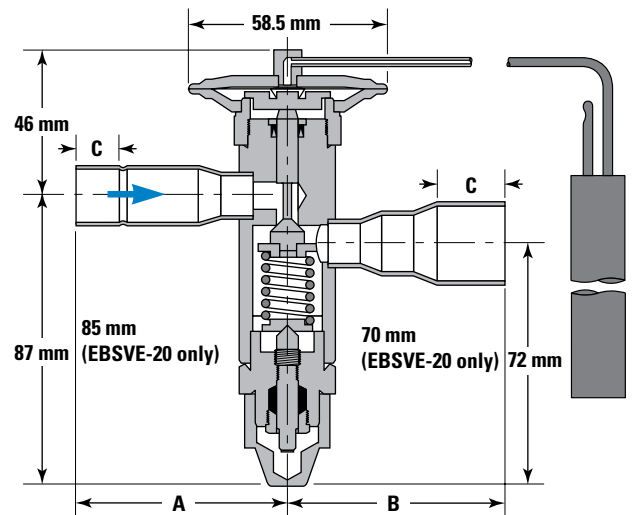
THERMOSTATIC EXPANSION VALVES

22, 134a, 404A, 407C, 409A, 507

Type EBS

Standard Cap Tube Length 60 inches (1.5 m)

Sporlan Type EBS valve is a brass bar body valve having the same physical size as the Type S valve except the Type EBS features a balanced port construction and extended ODF connections. The thermostatic element is replaceable. The balanced port construction makes this valve ideally suited for refrigeration and air conditioning applications which operate over widely varying conditions.

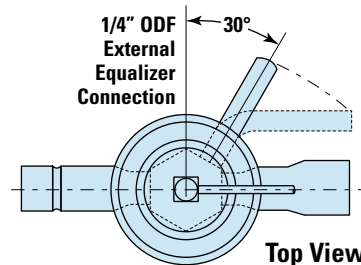


Dimensions — Connections

VALVE TYPE	FITTING SIZE Inches	mm		
		A	B	C
EBS	3/8 ODF	62	—	9
	1/2 ODF	62	—	13
	5/8 ODF	62	64	19
	7/8 ODF	—	64	20.5
	1-1/8 ODF	—	77	24.5

Bulb Sizes

STANDARD CHARGES	REFRIGERANT			
	22	134a	404A	507
C	13 OD x 89			
Z & ZP Series	13 OD x 89	—	13 OD x 89	
CP Series	13 OD x 89			
VGA	19 OD x 51	—	—	—



Specifications — Element Size No. 83, Knife Edge Joint

REFRIGERANT (Sporlan Code)	VALVE TYPE	EXTERNAL EQUALIZER	NOMINAL CAPACITY kW of Refrigeration	THERMOSTATIC CHARGES AVAILABLE	STANDARD TUBING LENGTH m	CONNECTIONS - Inches			NET WEIGHT - kg	SHIPPING WEIGHT - kg
						① Extended ODF Solder Blue figures are standard and will be furnished unless otherwise specified.				
						INLET	OUTLET	EXTERNAL EQUALIZER		
407C (N) 22 (V)	EBSNE-8	28	*Refer to Recommended Thermostatic Charges on page 3	1.5	1/2 or 5/8	7/8 or 1-1/8	1/4 Pointed Toward Bottom Cap or Parallel to Outlet Connection	0.9	1.4	
	EBSNE-11	39			1/2, 5/8 or 7/8	7/8, 1-1/8 or 1-3/8				
	EBSNE-15	53			5/8 or 7/8	7/8, 1-1/8 or 1-3/8				
	EBSNE-20	70			7/8	1-1/8 or 1-3/8				
134a (J) 409A (F)	EBSJE-5	18			1/2 or 5/8	7/8 or 1-1/8				
	EBSJE-7	25			1/2, 5/8 or 7/8	7/8, 1-1/8 or 1-3/8				
	EBSJE-9	32			5/8 or 7/8	7/8, 1-1/8 or 1-3/8				
	EBSJE-12	42			7/8	1-1/8 or 1-3/8				
404A (S)	EBSSE-6	21			1/2 or 5/8	7/8 or 1-1/8				
	EBSSE-7-1/2	26			1/2, 5/8 or 7/8	7/8, 1-1/8 or 1-3/8				
	EBSSE-10	35			5/8 or 7/8	7/8, 1-1/8 or 1-3/8				
	EBSSE-13	46			7/8	1-1/8 or 1-3/8				
507 (P)	EBSPE-6	21	1/2 or 5/8	7/8 or 1-1/8						
	EBSPE-7-1/2	26	1/2, 5/8 or 7/8	7/8, 1-1/8 or 1-3/8						
	EBSPE-10	35	5/8 or 7/8	7/8, 1-1/8 or 1-3/8						
	EBSPE-13	46	7/8	1-1/8 or 1-3/8						

① ODF Solder indicates a female connection on the valve of proper diameter to receive copper tubing of corresponding OD size. Thus 5/8" ODF will receive 5/8" OD tubing.

* X charge not available.

Note: Not suitable for bi-directional flow control.