

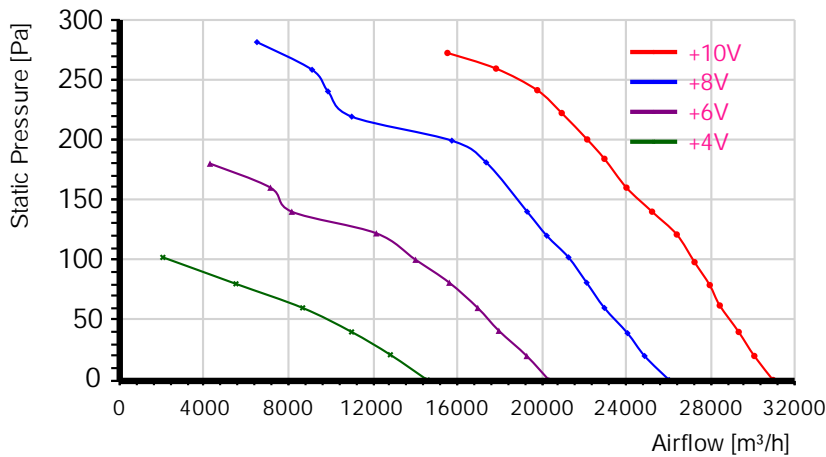
Model:ECF(K)8D910-PFB7SL1-RF

Fan type:EC Axial fan

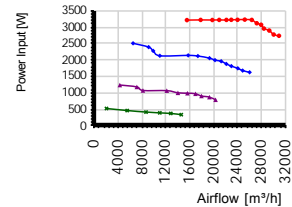
|               |   |
|---------------|---|
| Power input   | 3200 W  |
| Rated current | 4.9 A   |
| Rated speed   | 1050 r/min                                    |
| Max airflow   | 31000 m <sup>3</sup> /h (Static pressure=0Pa) |
| Acoustic      | 89 dB(A) measured at 1.0m from inlet side     |
| ErP level     | 2015  |

## Performance curve

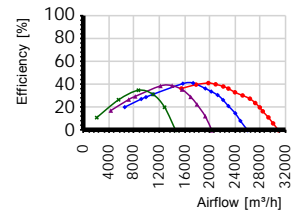
Airflow curve



Power input curve



Efficiency on static pressure



## Performance test with reference to GB/T 1236-2017, equivalent to ISO 5801

| TestID           | 2015121806           |             |             | Control voltage | 10 VDC               |                 |                  |                |                     |             |
|------------------|----------------------|-------------|-------------|-----------------|----------------------|-----------------|------------------|----------------|---------------------|-------------|
| Test environment |                      |             |             |                 |                      |                 |                  |                |                     |             |
| Outlet size      | Outlet area          | Temperature | Humidity    | Baropressure    | Density              |                 |                  |                |                     |             |
| 920mm            | 0.6648m <sup>2</sup> | 12°C        | 37%         | 103.6kPa        | 1.2kg/m <sup>3</sup> |                 |                  |                |                     |             |
| Test data        |                      |             |             |                 |                      |                 |                  |                |                     |             |
| Voltage          | Frequency            | Speed       | Power input | Current         | Airflow              | Static pressure | Dynamic pressure | Total pressure | Pressure Difference | Nozzle Size |
| V                | Hz                   | r/min       | W           | A               | m <sup>3</sup> /h    | Pa              | Pa               | Pa             | Pa                  | mm          |
| 401.2            | 50                   | 1048        | 3217        | 4.91            | 15529                | 272             | 27               | 299            | 207                 | 150+189*8   |
| 401.8            | 50                   | 1048        | 3223        | 4.94            | 17833                | 259             | 35               | 294            | 272                 | 150+189*8   |
| 403.6            | 50                   | 1048        | 3219        | 4.87            | 19791                | 241             | 43               | 285            | 335                 | 150+189*8   |
| 402              | 50                   | 1048        | 3222        | 4.9             | 20945                | 222             | 48               | 270            | 375                 | 150+189*8   |
| 402.4            | 50                   | 1048        | 3222        | 4.85            | 22157                | 200             | 54               | 254            | 419                 | 150+189*8   |
| 402.2            | 50                   | 1048        | 3226        | 4.88            | 22968                | 184             | 58               | 242            | 450                 | 150+189*8   |
| 402.3            | 50                   | 1048        | 3226        | 4.91            | 24017                | 160             | 64               | 223            | 492                 | 150+189*8   |
| 401.3            | 50                   | 1048        | 3231        | 4.95            | 25228                | 140             | 70               | 211            | 542                 | 150+189*8   |

Model:ECF(K)8D910-PFB7SL1-RF

Fan type:EC Axial fan

|       |    |      |      |      |       |     |     |     |     |           |
|-------|----|------|------|------|-------|-----|-----|-----|-----|-----------|
| 403.9 | 50 | 1048 | 3221 | 4.9  | 26399 | 121 | 77  | 198 | 594 | 150+189*8 |
| 403.4 | 50 | 1048 | 3120 | 4.74 | 27241 | 98  | 82  | 180 | 632 | 150+189*8 |
| 401.5 | 50 | 1048 | 3074 | 4.68 | 27961 | 79  | 86  | 166 | 665 | 150+189*8 |
| 401.7 | 50 | 1048 | 2960 | 4.52 | 28438 | 62  | 89  | 151 | 688 | 150+189*8 |
| 400.8 | 50 | 1048 | 2898 | 4.47 | 29335 | 40  | 95  | 135 | 732 | 150+189*8 |
| 402.4 | 50 | 1048 | 2777 | 4.4  | 30074 | 20  | 100 | 120 | 769 | 150+189*8 |
| 399.5 | 50 | 1048 | 2738 | 4.41 | 30963 | 0   | 106 | 106 | 815 | 150+189*8 |

|                  |                      |             |          |              |                      |  |  |       |  |  |
|------------------|----------------------|-------------|----------|--------------|----------------------|--|--|-------|--|--|
| TestID           | 2015121807           |             |          |              | Control voltage      |  |  | 8 VDC |  |  |
| Test environment |                      |             |          |              |                      |  |  |       |  |  |
| Outlet size      | Outlet area          | Temperature | Humidity | Baropressure | Density              |  |  |       |  |  |
| 920mm            | 0.6648m <sup>2</sup> | 12°C        | 37%      | 103.6kPa     | 1.2kg/m <sup>3</sup> |  |  |       |  |  |

| Test data |           |       |             |         |                   |                 |                  |                |                     |             |
|-----------|-----------|-------|-------------|---------|-------------------|-----------------|------------------|----------------|---------------------|-------------|
| Voltage   | Frequency | Speed | Power input | Current | Airflow           | Static pressure | Dynamic pressure | Total pressure | Pressure Difference | Nozzle Size |
| V         | Hz        | r/min | W           | A       | m <sup>3</sup> /h | Pa              | Pa               | Pa             | Pa                  | mm          |
| 400.9     | 50        | 840   | 2509        | 3.99    | 6504              | 281             | 5                | 285            | 205                 | 150+189*3   |
| 399.8     | 50        | 840   | 2395        | 3.77    | 9115              | 258             | 9                | 268            | 401                 | 150+189*3   |
| 400.6     | 50        | 840   | 2279        | 3.52    | 9871              | 240             | 11               | 250            | 470                 | 150+189*3   |
| 399.5     | 50        | 840   | 2131        | 3.34    | 10997             | 219             | 13               | 232            | 243                 | 150+189*5   |
| 402.4     | 50        | 840   | 2141        | 3.35    | 15740             | 199             | 27               | 226            | 212                 | 150+189*8   |
| 401.5     | 50        | 840   | 2122        | 3.27    | 17364             | 181             | 33               | 214            | 258                 | 150+189*8   |
| 402.2     | 50        | 840   | 2059        | 3.17    | 19309             | 140             | 41               | 181            | 319                 | 150+189*8   |
| 400.7     | 50        | 840   | 1997        | 3.1     | 20238             | 120             | 45               | 166            | 350                 | 150+189*8   |
| 401       | 50        | 840   | 1962        | 3.04    | 21266             | 102             | 50               | 152            | 386                 | 150+189*8   |
| 400.2     | 50        | 840   | 1882        | 2.92    | 22130             | 81              | 54               | 135            | 418                 | 150+189*8   |
| 400.2     | 50        | 840   | 1814        | 2.84    | 22971             | 60              | 58               | 119            | 450                 | 150+189*8   |
| 401.1     | 50        | 840   | 1747        | 2.73    | 24062             | 39              | 64               | 103            | 494                 | 150+189*8   |
| 400.1     | 50        | 840   | 1677        | 2.62    | 24876             | 20              | 68               | 89             | 527                 | 150+189*8   |
| 397.9     | 50        | 840   | 1627        | 2.59    | 26039             | 0               | 75               | 75             | 578                 | 150+189*8   |

|                  |                      |             |          |              |                      |  |  |       |  |  |
|------------------|----------------------|-------------|----------|--------------|----------------------|--|--|-------|--|--|
| TestID           | 2015121901           |             |          |              | Control voltage      |  |  | 6 VDC |  |  |
| Test environment |                      |             |          |              |                      |  |  |       |  |  |
| Outlet size      | Outlet area          | Temperature | Humidity | Baropressure | Density              |  |  |       |  |  |
| 920mm            | 0.6648m <sup>2</sup> | 12°C        | 54%      | 103.6kPa     | 1.2kg/m <sup>3</sup> |  |  |       |  |  |

| Test data |           |       |             |         |                   |                 |                  |                |                     |             |
|-----------|-----------|-------|-------------|---------|-------------------|-----------------|------------------|----------------|---------------------|-------------|
| Voltage   | Frequency | Speed | Power input | Current | Airflow           | Static pressure | Dynamic pressure | Total pressure | Pressure Difference | Nozzle Size |
| V         | Hz        | r/min | W           | A       | m <sup>3</sup> /h | Pa              | Pa               | Pa             | Pa                  | mm          |
| 401.6     | 50        | 630   | 1239        | 1.96    | 4279              | 180             | 2                | 182            | 438                 | 150+189*1   |
| 401.6     | 50        | 630   | 1181        | 1.87    | 7139              | 160             | 6                | 166            | 247                 | 150+189*3   |
| 401.2     | 50        | 630   | 1073        | 1.72    | 8154              | 140             | 7                | 148            | 321                 | 150+189*3   |
| 402.9     | 50        | 630   | 1066        | 1.7     | 12159             | 122             | 16               | 138            | 297                 | 150+189*5   |

Model:ECF(K)8D910-PFB7SL1-RF

Fan type:EC Axial fan

|       |    |     |      |      |       |     |    |     |     |           |
|-------|----|-----|------|------|-------|-----|----|-----|-----|-----------|
| 402   | 50 | 630 | 1001 | 1.62 | 14021 | 100 | 22 | 121 | 285 | 150+189*6 |
| 404.4 | 50 | 630 | 990  | 1.61 | 15618 | 81  | 27 | 108 | 353 | 150+189*6 |
| 403   | 50 | 630 | 971  | 1.56 | 16967 | 60  | 32 | 92  | 416 | 150+189*6 |
| 399.7 | 50 | 630 | 905  | 1.48 | 17969 | 41  | 36 | 77  | 467 | 150+189*6 |
| 401.8 | 50 | 630 | 870  | 1.44 | 19290 | 20  | 41 | 61  | 537 | 150+189*6 |
| 400.8 | 50 | 630 | 789  | 1.32 | 20336 | 0   | 46 | 46  | 597 | 150+189*6 |

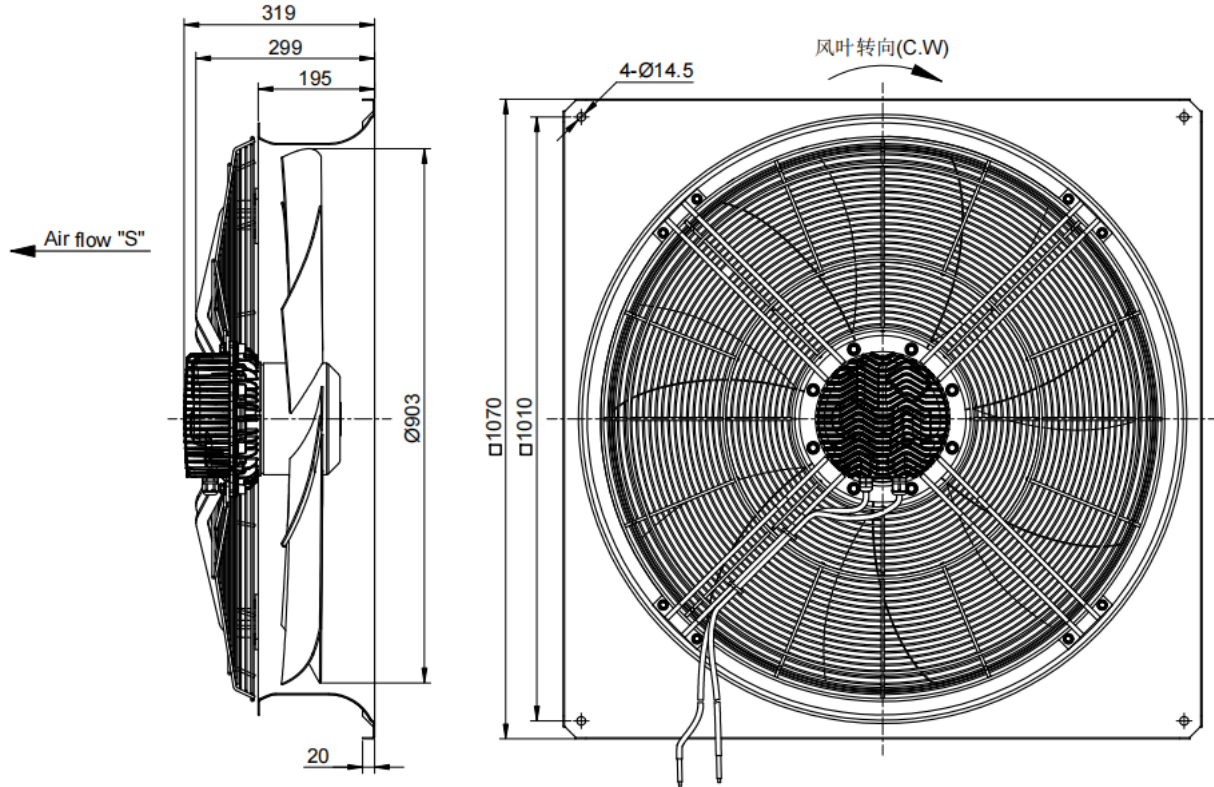
|                  |                      |             |          |                 |                      |  |
|------------------|----------------------|-------------|----------|-----------------|----------------------|--|
| TestID           | 2015121902           |             |          | Control voltage | 4 VDC                |  |
| Test environment |                      |             |          |                 |                      |  |
| Outlet size      | Outlet area          | Temperature | Humidity | Baropressure    | Density              |  |
| 920mm            | 0.6648m <sup>2</sup> | 12°C        | 54%      | 103.6kPa        | 1.2kg/m <sup>3</sup> |  |

| Test data |           |       |             |         |                   |                 |                  |                |                     |             |
|-----------|-----------|-------|-------------|---------|-------------------|-----------------|------------------|----------------|---------------------|-------------|
| Voltage   | Frequency | Speed | Power input | Current | Airflow           | Static pressure | Dynamic pressure | Total pressure | Pressure Difference | Nozzle Size |
| V         | Hz        | r/min | W           | A       | m <sup>3</sup> /h | Pa              | Pa               | Pa             | Pa                  | mm          |
| 400.7     | 50        | 420   | 523         | 0.89    | 2043              | 102             | 0                | 102            | 266                 | +189*1      |
| 400.7     | 50        | 420   | 460         | 0.82    | 5508              | 80              | 3                | 83             | 280                 | 150+189*2   |
| 402.8     | 50        | 420   | 414         | 0.73    | 8668              | 60              | 8                | 68             | 224                 | 150+189*4   |
| 401.1     | 50        | 420   | 390         | 0.69    | 10987             | 40              | 13               | 54             | 358                 | 150+189*4   |
| 400.8     | 50        | 420   | 372         | 0.67    | 12824             | 21              | 18               | 39             | 239                 | 150+189*6   |
| 401.1     | 50        | 420   | 335         | 0.61    | 14578             | 0               | 23               | 23             | 308                 | 150+189*6   |

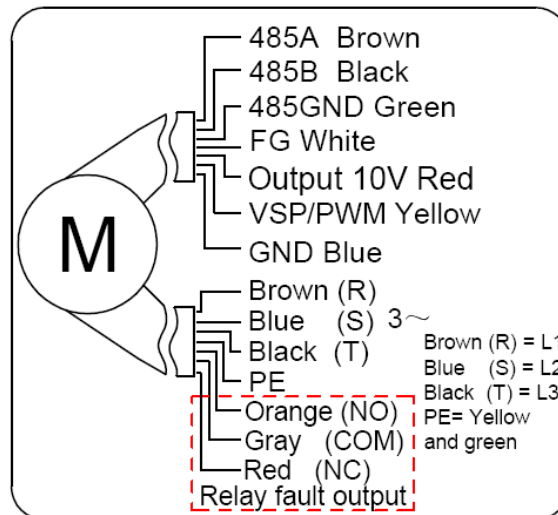
Model: ECF(K)8D910-PFB7SL1-RF

Fan type: EC Axial fan

## Dimensions(in mm)



## Wiring diagram



## Electrical connections

| Connection | Assignment/function  |
|------------|--|
| L1、L2、L3   | Three-phase supply connection, voltage range 380-480VAC, frequency 50/60Hz |