

Diameter:

250 mm

R09\_-2525\_-2M-3539



**Nominal data according to standard EN 60335:**

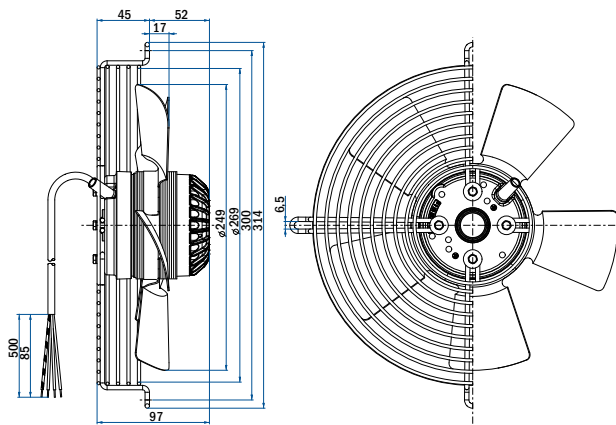
Phase	1~
Nominal voltage	230 V
Frequency	50/60 Hz
Rated power input	95/130 W
Rated current	0.44/0.58 A
Rated speed	2700/2950 RPM
Min. ambient temperature	-30 °C
Max. ambient temperature	65 °C
Sound power level A weighted	72/73 dB (A)
Condensator	2 µF/450 V
Connection	cable
Insulation class	155
Protection class	IP44

**Is not subject to the EU regulation 327/2011.**

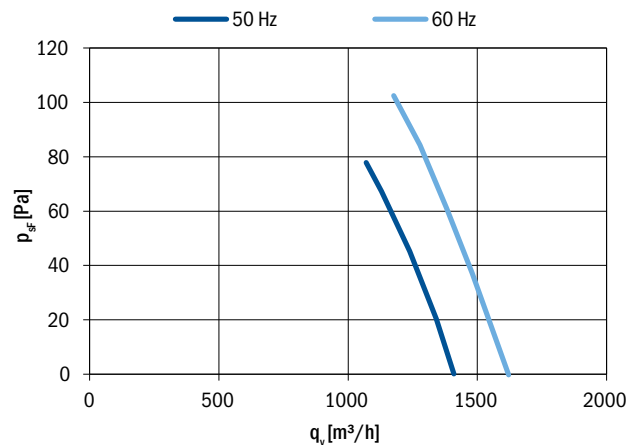
Power input lower than 125 W.

**Fan with guard grill**

Airflow Direction	Type	Code	Weight (kg)
Sucking	R09R-2525A-2M-3539	0309-4-0198	2.5
Blowing	R09R-2525P-2M-3539	On request	



**Aerodynamic characteristic**



Fan characteristic measured in full bell mouth with guard grill.

**Fan with plate**

Airflow Direction	Type	Code	Weight (kg)
Sucking	R09P-2525A-2M-3539	On request	
Blowing	R09P-2525P-2M-3539	On request	

**Fan without guard grill**

Airflow Direction	Type	Code	Weight (kg)
Sucking	R09E-2525A-2M-3539	On request	
Blowing	R09E-2525P-2M-3539	On request	

**General notes**

Connection diagrams:		
Sucking	0301-1-0026	See section
Blowing	0301-1-0002	Connection diagrams
Guard grills & wall-plates	See section Accessories	
Standards compliance	See introduction page	