

R11_-40LP_-4M-5150

Diameter:

400 mm

Nominal data according to standard EN 60335:

Phase	1~
Nominal voltage	230 V
Frequency	50/60 Hz
Rated power input	190/260 W
Rated current	0.85/1.10 A
Rated speed	1310/1450 RPM
Min. ambient temperature	-30 °C
Max. ambient temperature	60 °C
Sound power level A weighted	73/76 dB (A)
Condensator	6.3 µF/450 V
Connection	terminal box
Insulation class	155
Protection class	IP54

ErP data according to EU regulation 327/2011:

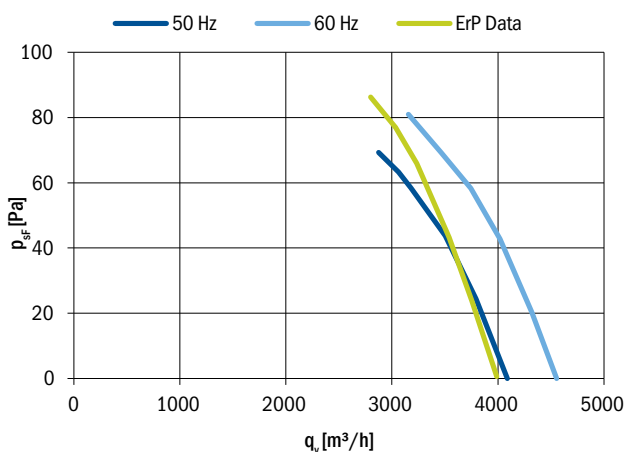
Overall efficiency	30.9 %
Measurement category	A
Efficiency category	static
Efficiency grade N	41.5
Variable speed drive	NO
Power input	208 W
Air flow	2800 m³/h
Pressure drop	86 Pa
Speed	1314 RPM
Specific ratio	1.00



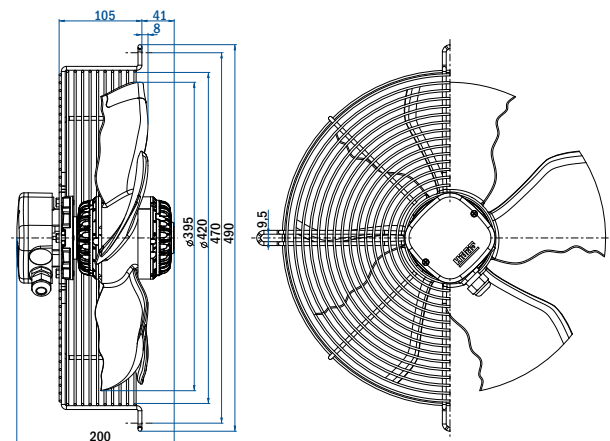
Fan with guard grill

Airflow Direction	Type	Code	Weight (kg)
Sucking	R11R-40LPS-4M-5150	0311-4-0313	6.0
Blowing	R11R-40LPB-4M-5150	0311-4-0342	

Aerodynamic characteristic



Fan characteristic measured in short bell mouth with guard grill
ErP characteristic measured in full bell mouth without guard grill



Fan with plate

Airflow Direction	Type	Code	Weight (kg)
Sucking	R11P-40LPS-4M-5150	On request	
Blowing	R11P-35KPP-4M-3808	On request	

Fan without guard grill

Airflow Direction	Type	Code	Weight (kg)
Sucking	R11P-40LPB-4M-5150	On request	
Blowing	R11E-40LPB-4M-5150	On request	

General notes

Connection diagram: Sucking	0301-1-0044	Page 145
Blowing	0301-1-0043	
Accessories		Page 134
Compliant to standards		Page 28