

R13_-5030H_-4M-7075

Diameter:

500 mm

Nominal data according to standard EN 60335:

Phase	1~
Nominal voltage	230 V
Frequency	50 Hz
Rated power input	780 W
Rated current	3.50 A
Rated speed	1370 RPM
Min. ambient temperature	-30 °C
Max. ambient temperature	60 °C
Sound power level A weighted	76 dB (A)
Condensator	16 µF/450 V
Connection	terminal box
Insulation class	155
Protection class	IP54

ErP data according to EU regulation 327/2011:

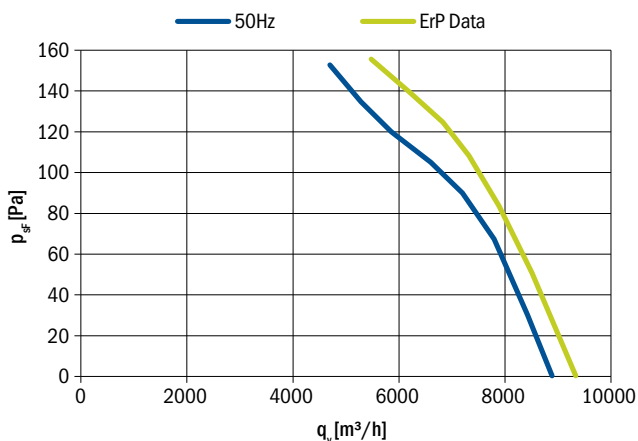
Overall efficiency	29.4 %
Measurement category	A
Efficiency category	static
Efficiency grade N	36.4
Variable speed drive	NO
Power input	771 W
Air flow	6829 m³/h
Pressure drop	125 Pa
Speed	1336 RPM
Specific ratio	1.00



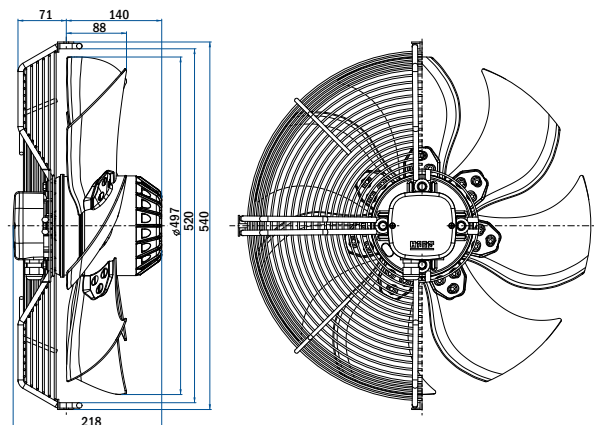
Fan with guard grill

Airflow Direction	Type	Code	Weight (kg)
Sucking	R13R-5030HA-4M-7075	0313-4-1081	13.1
Blowing	R13R-5030HP-4M-7075	On request	

Aerodynamic characteristic



Fan characteristic measured in short bell mouth with guard grill
ErP characteristic measured in full bell mouth without guard grill



Fan with plate

Airflow Direction	Type	Code	Weight (kg)
Sucking	R13P-5030HA-4M-7075	0313-4-1120	18.6
Blowing	R13P-5030HP-4M-7075	On request	

Fan without guard grill

Airflow Direction	Type	Code	Weight (kg)
Sucking	R13E-5030HA-4M-7075	0313-4-1121	10.7
Blowing	R13E-5030HP-4M-7075	On request	

General notes

Connection diagram: Sucking	0301-1-0035	Page 146
Blowing	0301-1-0029	
Accessories		Page 134
Compliant to standards		Page 28