

R13_-6330H_-6M-X055

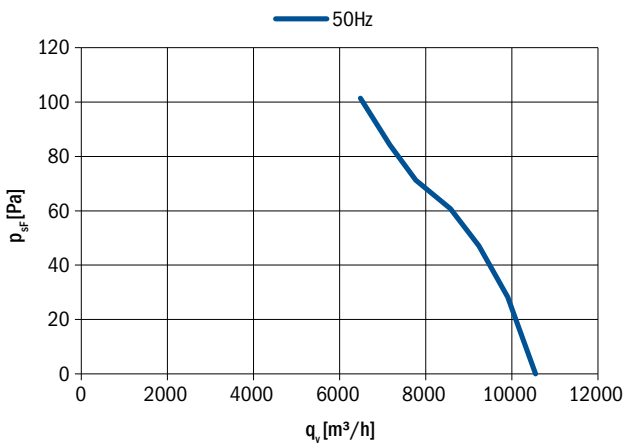
Diameter:

630 mm

Nominal data according to standard EN 60335:

Phase	1~
Nominal voltage	230 V
Frequency	50 Hz
Rated power input	680 W
Rated current	3.10 A
Rated speed	890 RPM
Min. ambient temperature	-30 °C
Max. ambient temperature	50 °C
Sound power level A weighted	77 dB (A)
Condensator	18 µF/450 V
Connection	terminal box
Insulation class	155
Protection class	IP54

Aerodynamic characteristic

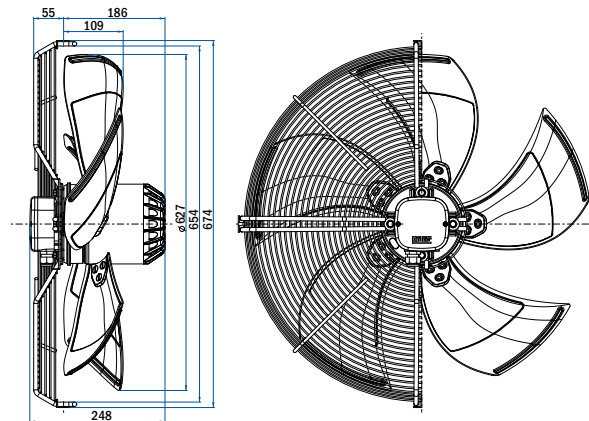


Fan characteristic measured in full bell mouth with guard grill



Fan with guard grill

Airflow Direction	Type	Code	Weight (kg)
Sucking	R13R-6330HA-6M-X055	0313-4-1005	17.0
Blowing	R13R-6330HP-6M-X055	On request	



Fan with plate

Airflow Direction	Type	Code	Weight (kg)
Sucking	R13P-6330HA-6M-X055	0309-4-1031	24.7
Blowing	R13P-6330HP-6M-X055	On request	

Fan without guard grill

Airflow Direction	Type	Code	Weight (kg)
Sucking	R13E-6330HA-6M-X055	0313-4-1061	14.2
Blowing	R13E-6330HP-6M-X055	On request	

General notes

Connection diagram: Sucking	0301-1-0035	Page 146
Blowing	0301-1-0029	
Accessories		Page 134
Compliant to standards		Page 28