

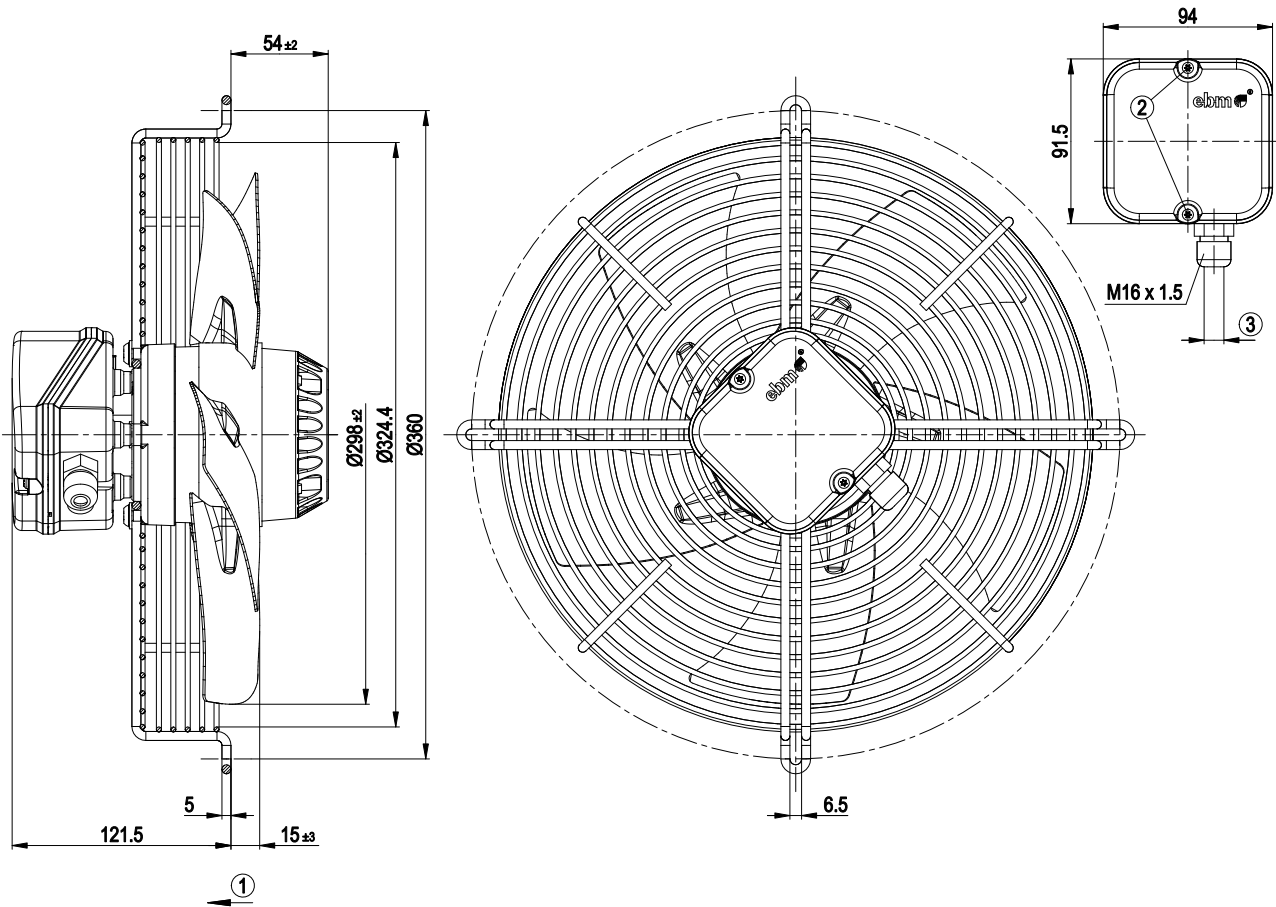
S2D300-AP02-50

AC axial fan

sickled blades (S series)

with guard grille for short nozzle

Product drawing



1	Direction of air flow "V"
2	Tightening torque 0.5±0.1 Nm
3	Cable diameter: max. 7.5 mm; tightening torque 1.3±0.15 Nm

