

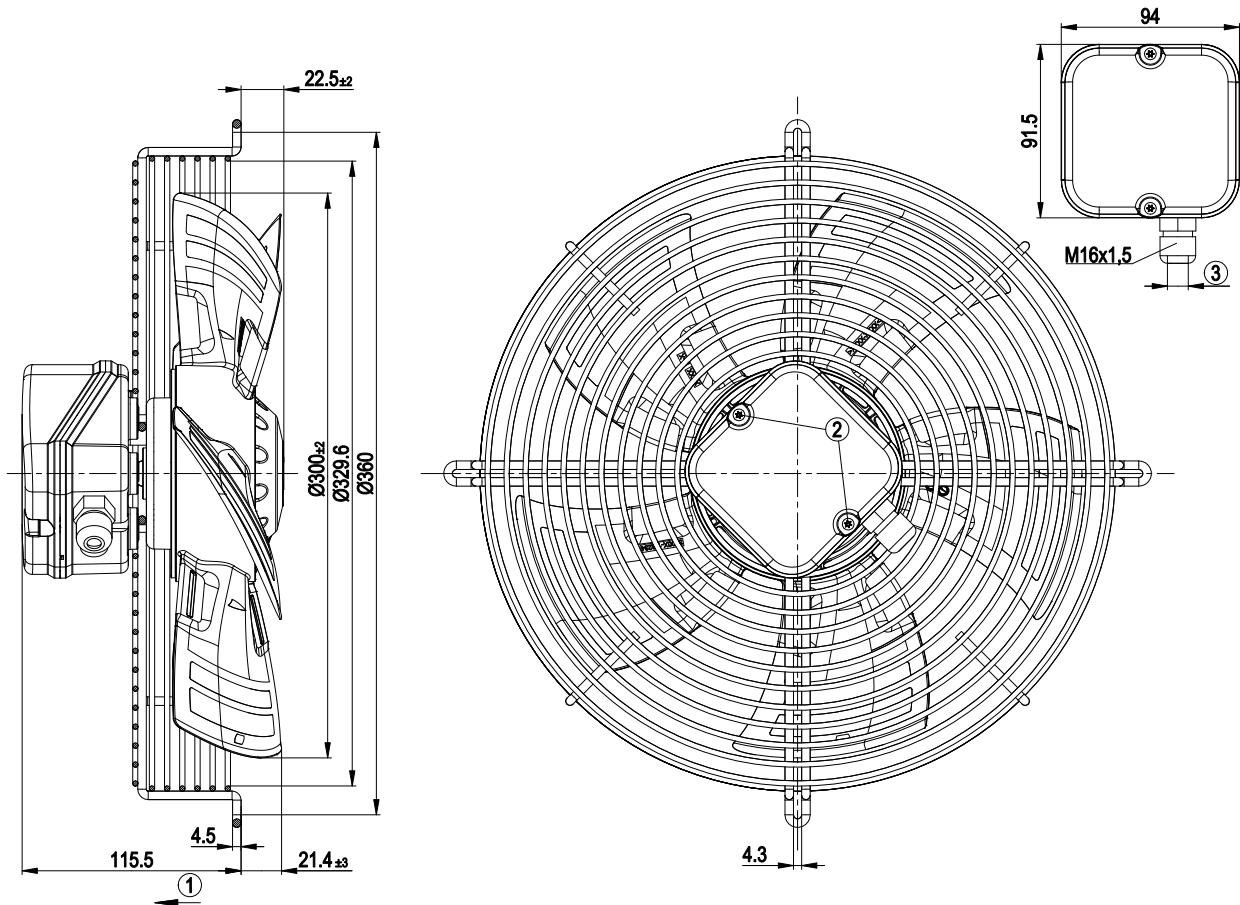
S4D300-AS34-50

# AC axial fan - HyBlade®

sickled blades (S series)

with guard grille for short nozzle

## Product drawing



1	Direction of air flow "V"
2	Tightening torque $0.8 \pm 0.15$ Nm
3	Cable diameter: max. 7.5 mm; tightening torque $2 \pm 0.3$ Nm

