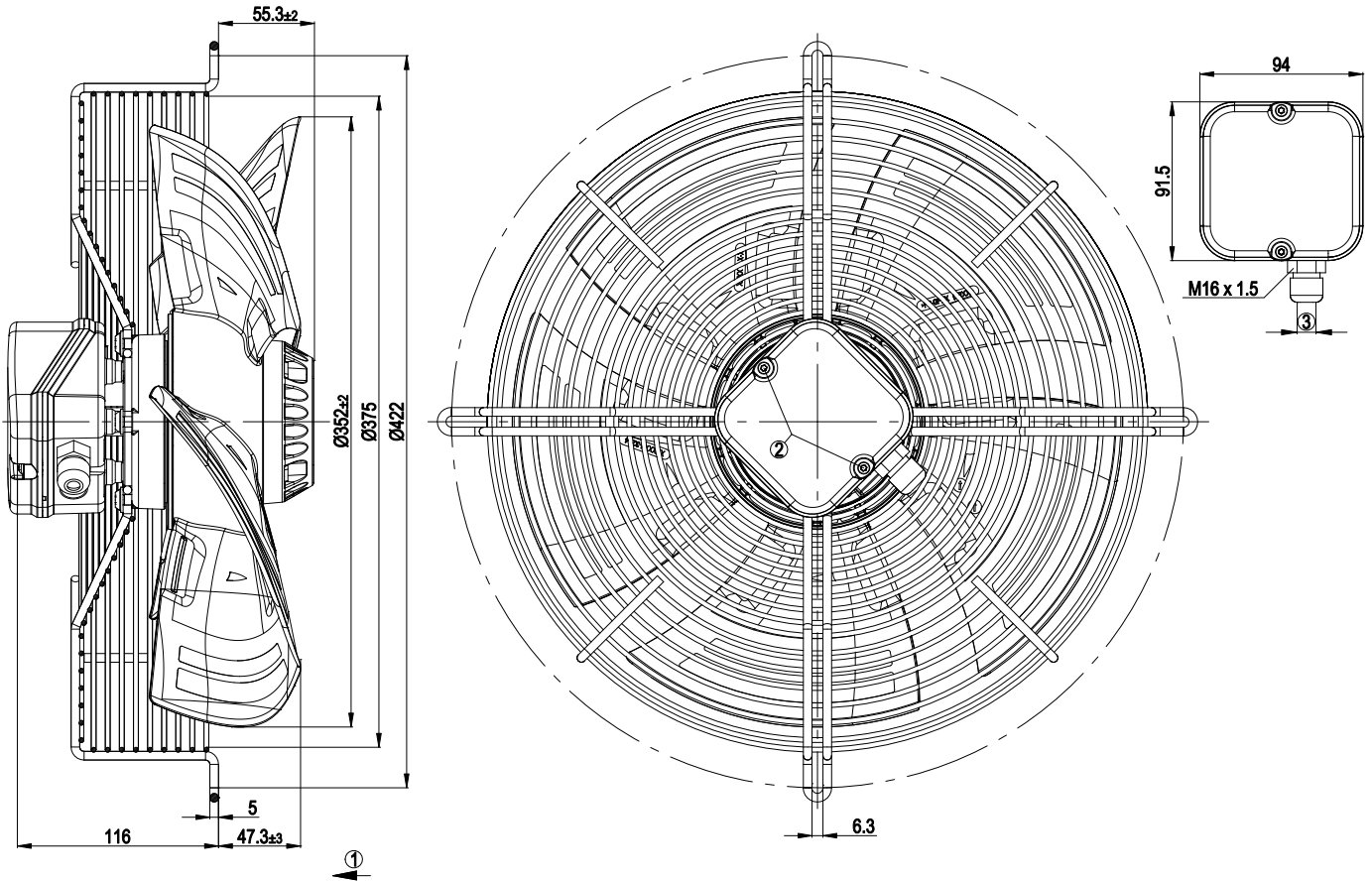


AC axial fan - HyBlade®

sickled blades (S series)

with guard grille for short nozzle

Product drawing



1	Direction of air flow "V"
2	Tightening torque 0.5±0.1 Nm
3	Cable diameter: max. 7.5 mm, tightening torque 1.3 ±0.2 Nm

