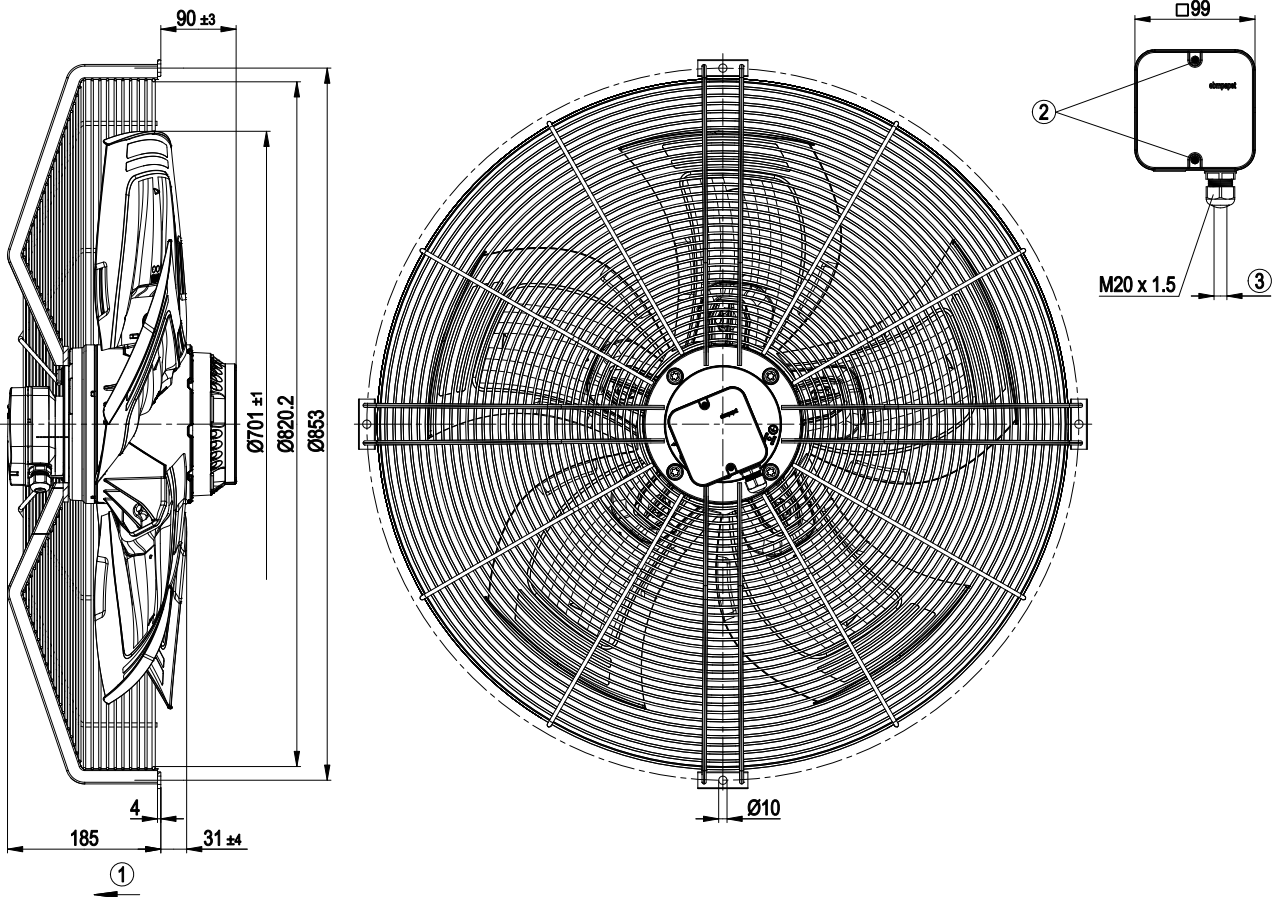


# AC axial fan - HyBlade®

sickled blades (S series), single inlet  
with guard grille for short nozzle

## Product drawing



1	Direction of air flow "V"
2	Tightening torque 1.5±0.2 Nm
3	Cable diameter: min. 7 mm, max. 14 mm, tightening torque: 2±0.3 Nm