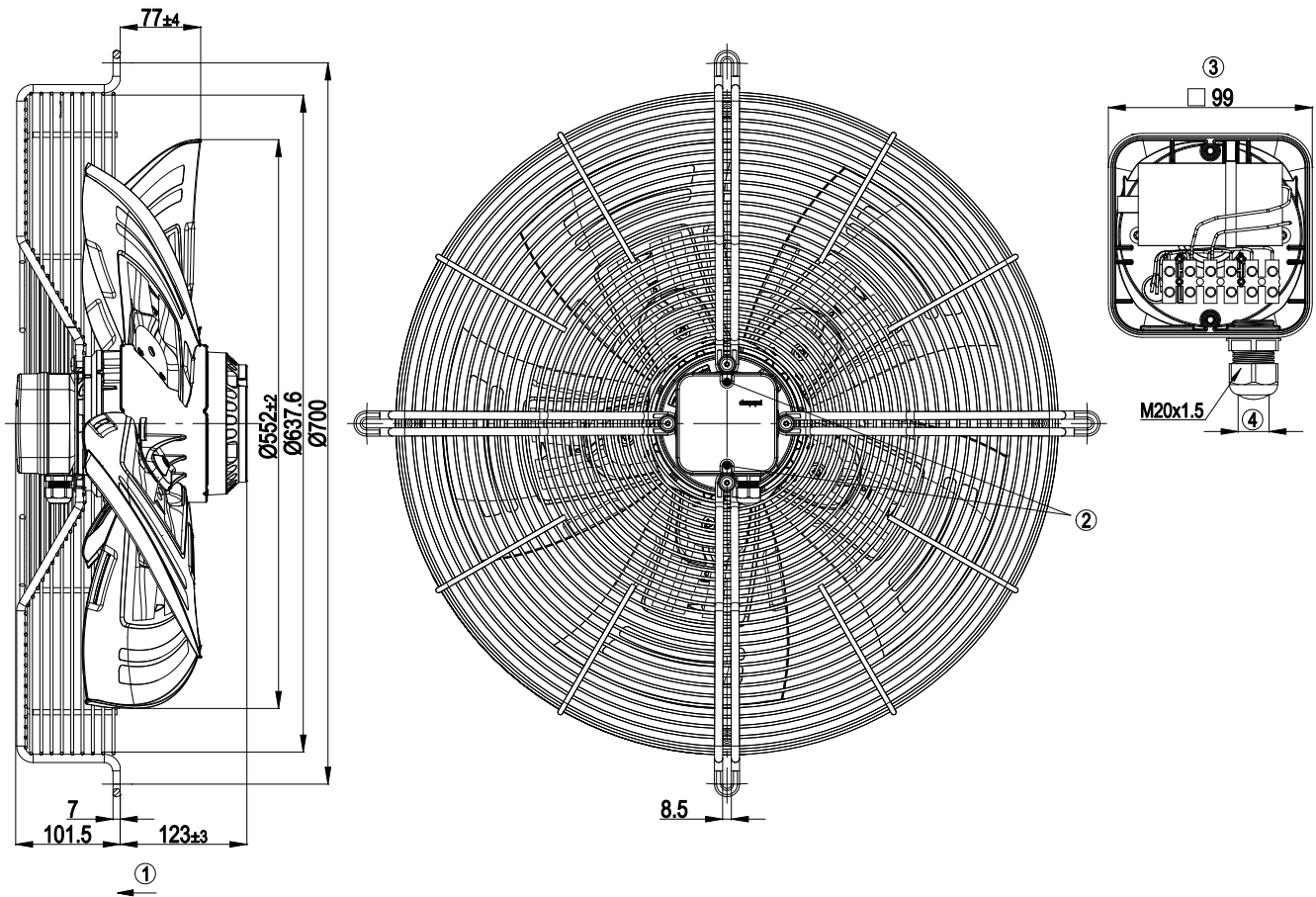


AC axial fan - HyBlade®

sickled blades (S series)

with guard grille for short nozzle

Product drawing



1	Direction of air flow "V"
2	Tightening torque 0.8±0.15 Nm
3	Illustration without terminal box cover
4	Cable diameter: min. 6 mm, max. 12 mm, tightening torque: 2.0±0.3 Nm

