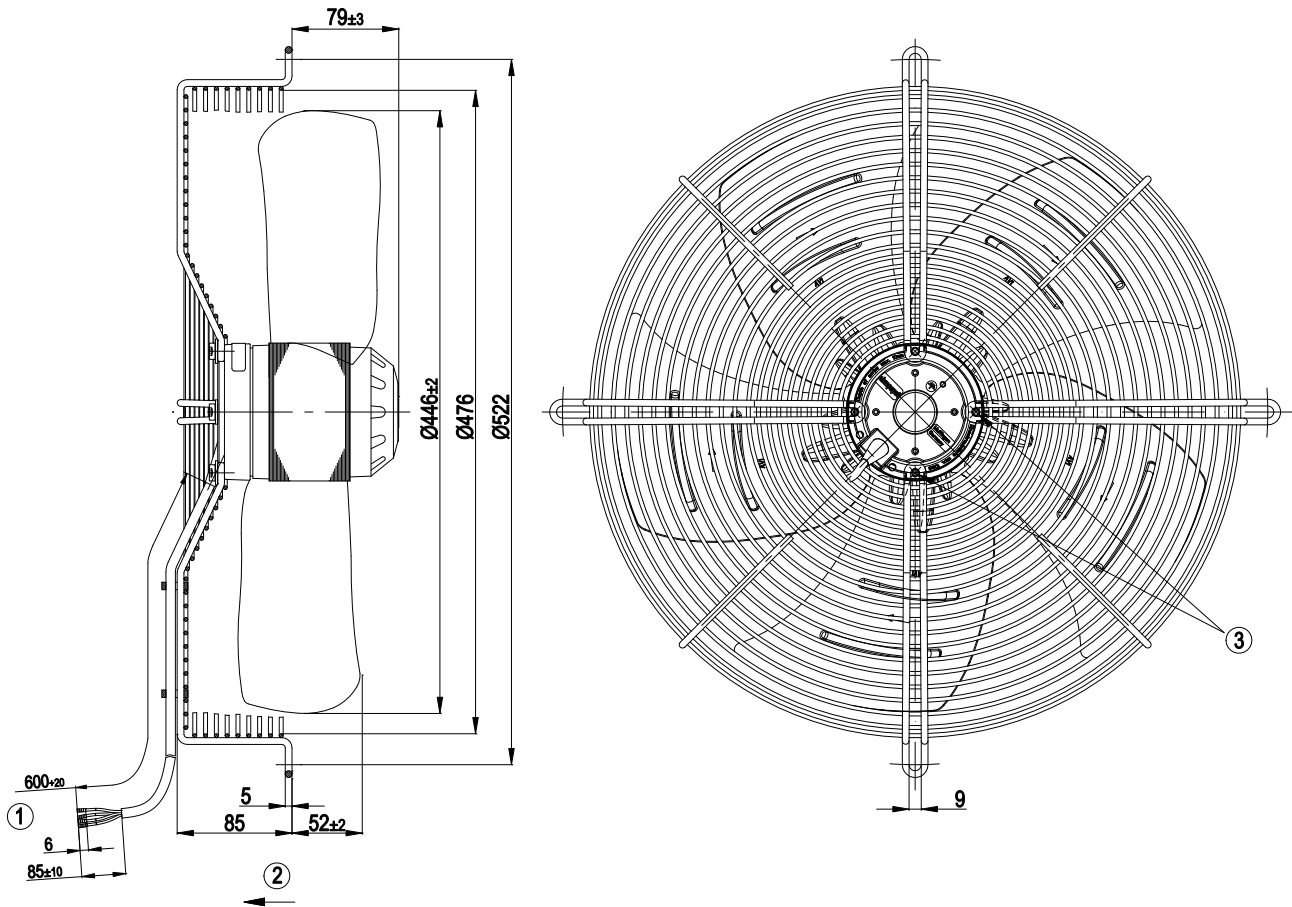


AC axial fan - HyBlade®

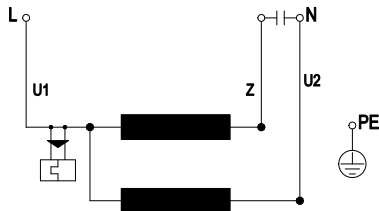
sickled blades (S series)
with guard grille for short nozzle

Product drawing



- | | |
|---|---|
| 1 | Connection line AWG20; 4 x brass lead tips crimped |
| 2 | Direction of air flow "V" |
| 3 | Cable diameter: min. 6 mm, max. 12 mm; tightening torque: 0.8 ± 0.15 Nm |

Connection screen



| | | | | | |
|----|--------------|---|-------|----|-------|
| U1 | blue | Z | brown | U2 | black |
| PE | green/yellow | | | | |

