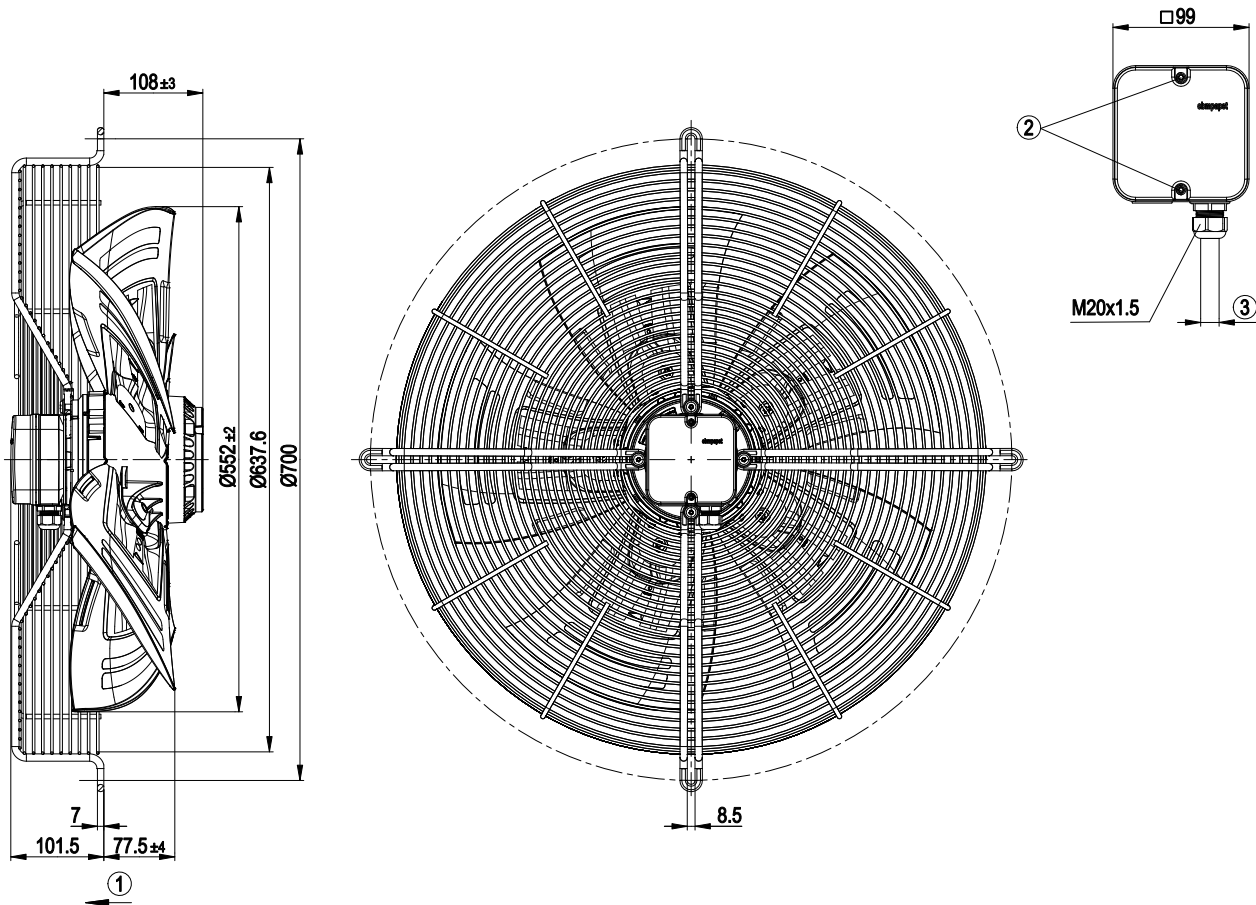


# AC axial fan - HyBlade®

sickled blades (S series)

with guard grille for short nozzle

## Product drawing



|   |   |
|---|---|
| 1 | Direction of air flow "V"   |
| 2 | Tightening torque 1.5±0.2 Nm                                      |
| 3 | Cable diameter: min. 6 mm, max. 12 mm, tightening torque 2±0.3 Nm |

