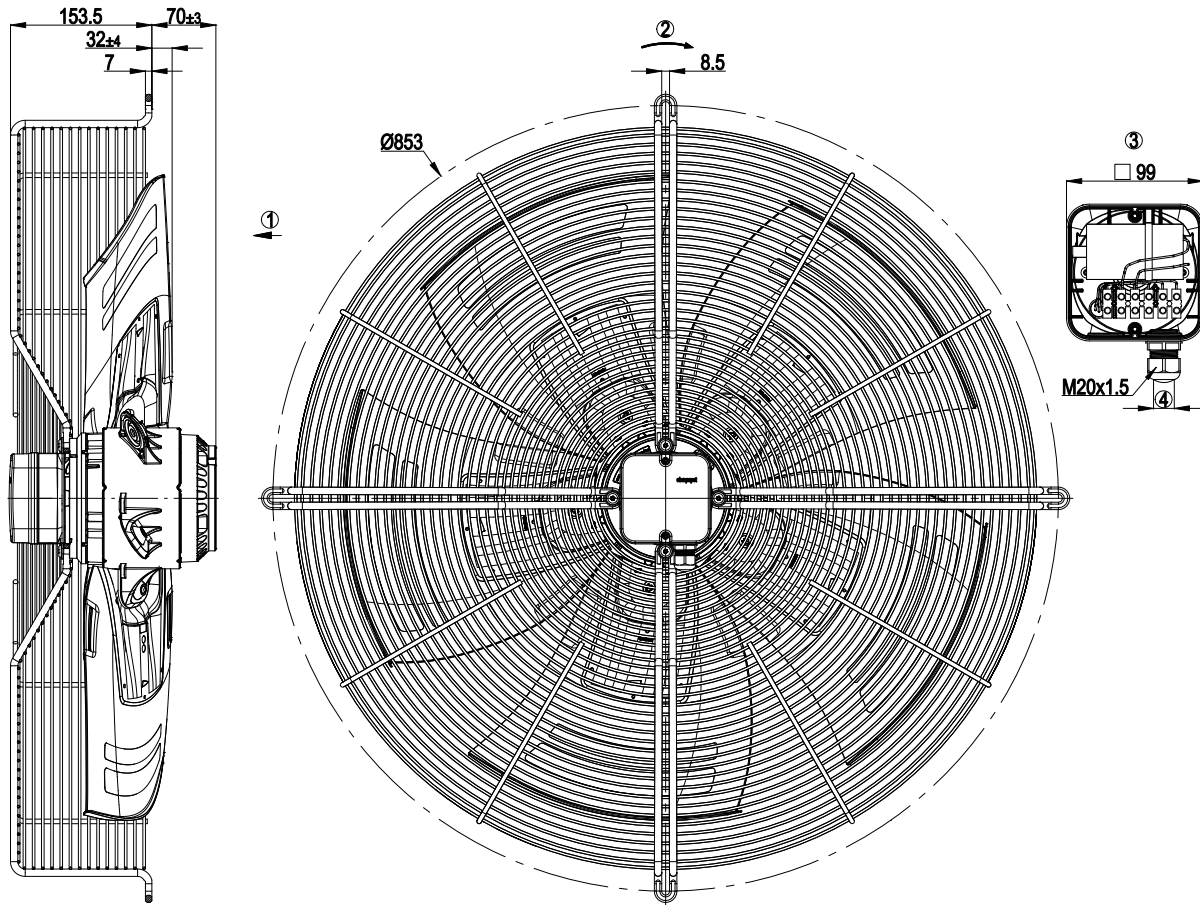


AC axial fan - HyBlade®

sickled blades (S series)

with guard grille for short nozzle

Product drawing



1	Direction of air flow "V"
2	Direction of rotation counterclockwise, seen on rotor
3	Shown without terminal box cover
4	Cable diameter: min. 6 mm, max. 12 mm

