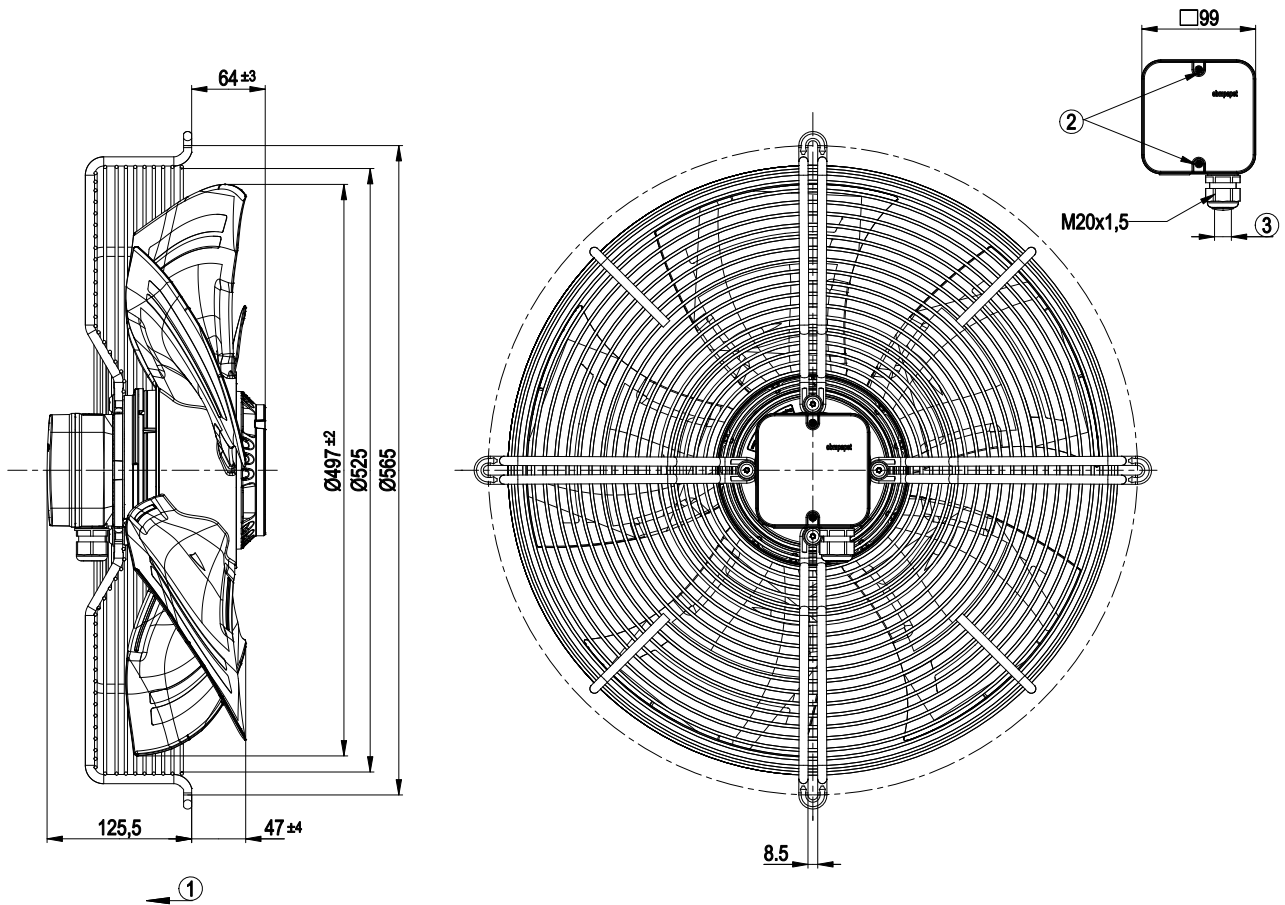


AC axial fan - HyBlade®

sickled blades (S series)

with guard grille for short nozzle

Product drawing



- | | |
|---|--------------------------------------------------------------------------|
| 1 | Direction of air flow "V" |
| 2 | Tightening torque 0.8 ± 0.15 Nm |
| 3 | Cable diameter: min. 6 mm, max. 12 mm, tightening torque: 2 ± 0.3 Nm |

