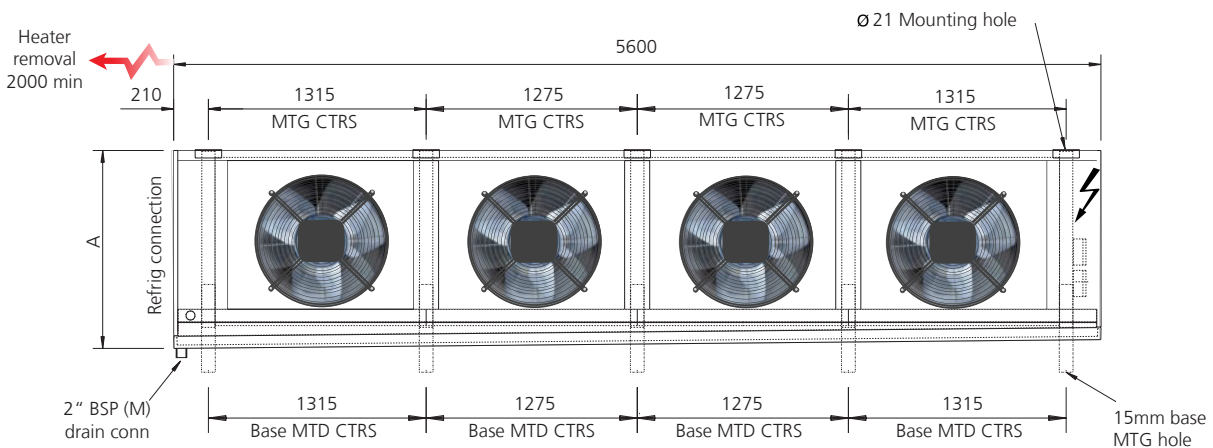
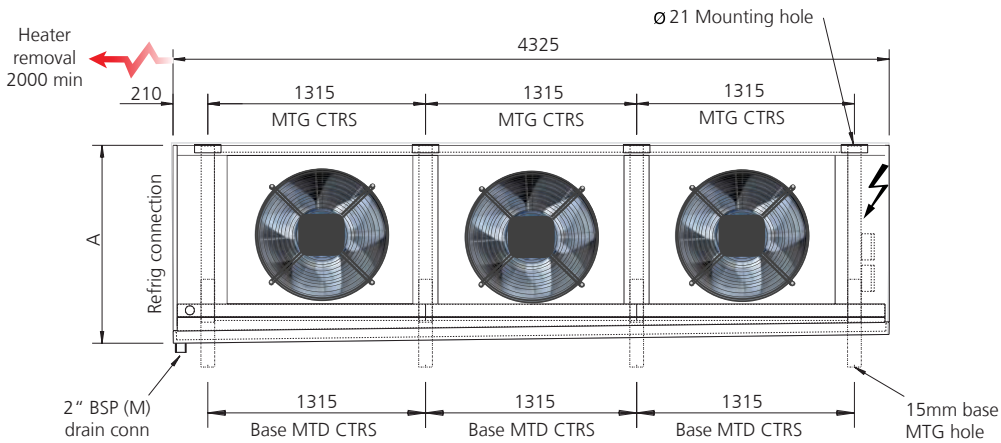
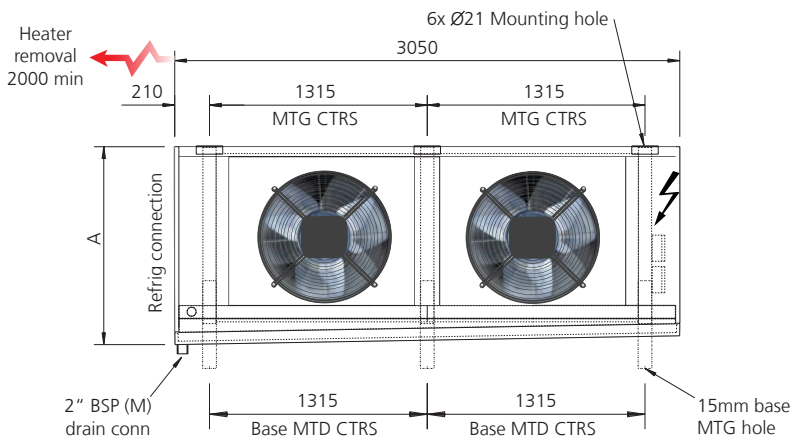
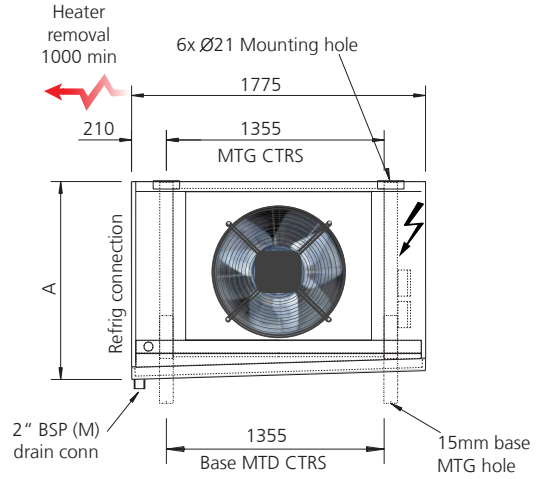
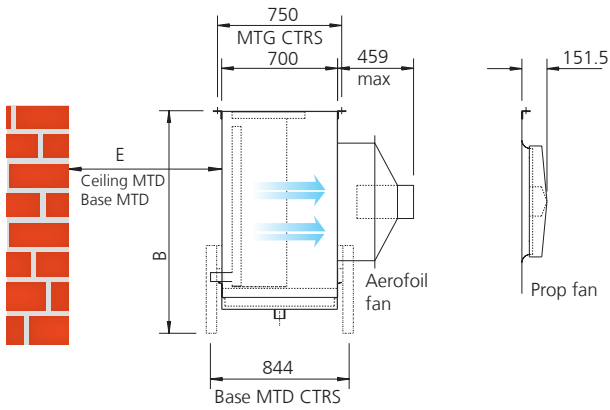


# Drawings, Dimensions and Weights



Model	Case height in rows	No. of fans	Fins per inch	Unit height ceiling mounted	Unit height base mounted	Unit weight Cu/Al
				(A) mm	(B) mm	kg
161 - 4x	16	1	4	970	1141	218
161 - 6x			6			248
161 - 8x			8			251
201 - 4x	20	1	4	1173	1344	258
201 - 6x			6			296
201 - 8x			8			299
162 - 4x	16	2	4	970	1141	378
162 - 6x			6			436
162 - 8x			8			442
202 - 4x	20	2	4	1173	1344	448
202 - 6x			6			520
202 - 8x			8			535
242 - 4x	24	2	4	1376	1547	504
242 - 6x			6			591
242 - 8x			8			607
302 - 4x	30	2	4	1681	1852	618
302 - 6x			6			727
302 - 8x			8			739
163 - 4x	16	3	4	992	1141	538
163 - 6x			6			625
163 - 8x			8			635
203 - 4x	20	3	4	1195	1344	642
203 - 6x			6			750
203 - 8x			8			773
243 - 4x	24	3	4	1398	1547	714
243 - 6x			6			844
243 - 8x			8			872
303 - 4x	30	3	4	1703	1852	883
303 - 6x			6			1045
303 - 8x			8			1064
244 - 4x	24	4	4	1398	1547	926
244 - 6x			6			1099
244 - 8x			8			1139
304 - 4x	30	4	4	1703	1852	1148
304 - 6x			6			1365
304 - 8x			8			1389

Note: Weights are maximums, based on 4mm fin spacing