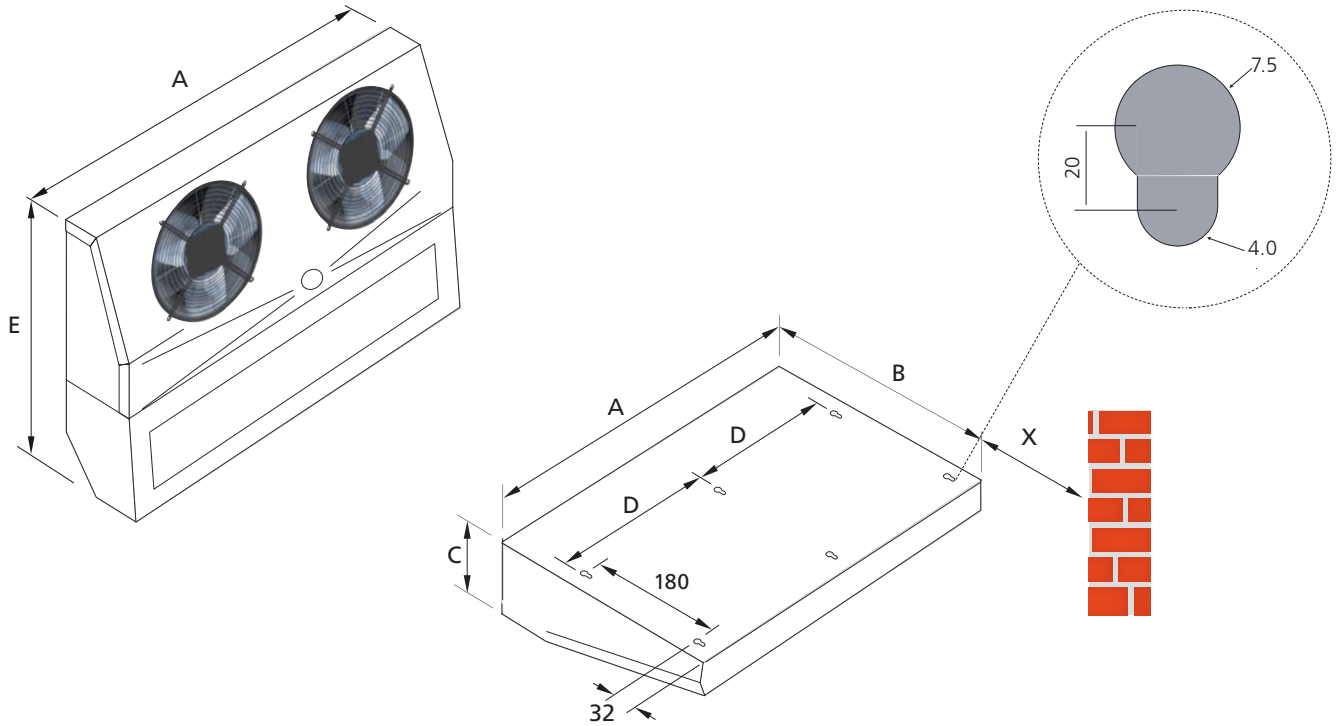


Options - Part numbers of options supplied separately

Part type/Description	TEC1	TEC2	TEC3	TEC3.5/4	TEC4	TEC5	TEC6	TEC7	TEC8
-----------------------	------	------	------	----------	------	------	------	------	------

Defrost kits	Ceiling Mounting	T2 LTKIT	T3 LTKIT	T3.5/4	T5/6LTKIT		T7/8LTKIT	
	Wall Mounting	WT1/2LTKIT	WT3 LTKIT	WT3.5/4	WT5 LTKIT	WT6 LTKIT	WT7/8	
	Wall mounting kits	WT1/2 PAN	WT3 PAN	WT3.5/4 PAN	WT5 PAN	WT6 PAN	WT7 PAN	WT8 PAN



Model	No. of fans	mm						Connections		Approx dry weight (kg)
		A	B	C	D	E	X Min	Outlet	Inlet	
								Inches	Inches	
TEC1	1	525	375	180	453 (x4)	550	120	3/8	3/8	7.3
TEC2	1	525	375	180	453 (x4)	550	120	3/8	3/8	8.2
TEC3	1	690	375	180	618 (x4)	550	120	3/8	3/8	9.8
TEC3.5	1	865	375	180	793 (x4)	550	120	1/2	3/8	12.0
TEC4	2	865	375	180	793 (x4)	550	120	1/2	3/8	13.7
TEC5	2	1120	375	180	524 (x6)	550	120	1/2	3/8	16.4
TEC6	2	1120	375	230	524 (x6)	550	120	5/8	1/2	18.5
TEC7	3	1528	375	180	728 (x6)	550	120	7/8	1/2	24.0
TEC8	3	1528	375	230	728 (x6)	550	120	7/8	1/2	26.9