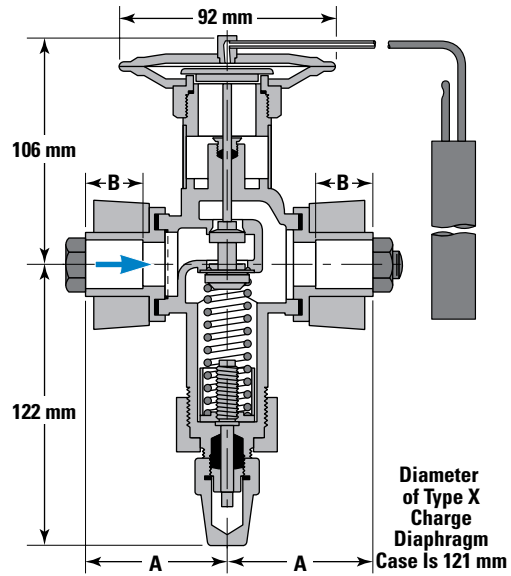


THERMOSTATIC EXPANSION VALVES

22, 134a, 404A, 407C, 409A, 507

Type V

Cast bronze body, externally adjustable valve with flange connections. Inlet has a 12 mesh strainer. This valve type features a dual port semi-balanced design. This valve type provides valve capacities greater than the Type M and is suitable for air conditioning and refrigeration applications. Flanges for the Type V are interchangeable with the Type M.



Dimensions – Connections

VALVE TYPE	SOLDERING BUSHING	mm	
		A	B
V	7/8	60	22
	1-1/8	70	24
	1-3/8	70	24
	1-5/8	82	31

Bulb Sizes

STANDARD CHARGES	REFRIGERANT			
	22	134a	404A	507
C	22 OD x 152			
Z & ZP Series	22 OD x 152	—	22 OD x 152	
X	22 OD x 152	—	22 OD x 152	
CP Series	19 OD x 102			—
VGA	19 OD x 102	—	—	—

Specifications – Element Size No. 63,
Gasket Joint, Standard Tubing Length 1.5 Meters^④
Flange Ring Size – 1-3/4" OD x 1-1/2" ID.

REFRIGERANT (Sporlan Code)	TYPE & CAPACITY	THERMOSTATIC CHARGE AVAILABLE	①STANDARD CONNECTION Inches ③ODF SOLDER FLANGE Blue figures are standard and will be furnished unless otherwise specified.	
	②EXTERNAL EQUALIZER		INLET	OUTLET
134a (J) 409A (F)	VJE-35	Refer to Recommended Thermostatic Charges on Page 3	1-3/8	1-3/8
	VJE-45			
	VJE-55			
404A (S) 507 (P)	VSE-38			
	VSE-50			
	VSE-70			
407C (N) 22 (V)	VNE-52			
	VNE-70			
	VNE-100			

① Connections shown are most readily available. Connections shown in Bulletin 10-10 are also available on special order.
 ② Standard External Equalizer Connection 1/4" SAE Flare, 1/4" ODF Solder connection available on request.
 ③ ODF Solder indicates a female connection on the valve of proper diameter to receive copper tubing of corresponding OD size. Thus 1/2" ODF will receive 1/2" OD tubing.
 ④ Tubing lengths other than standard available upon special order at an additional cost.
 NOTE: The V valve is not available for R-410A.
 External Equalizer Connection is required whenever valves are used with Sporlan Refrigerant Distributors.