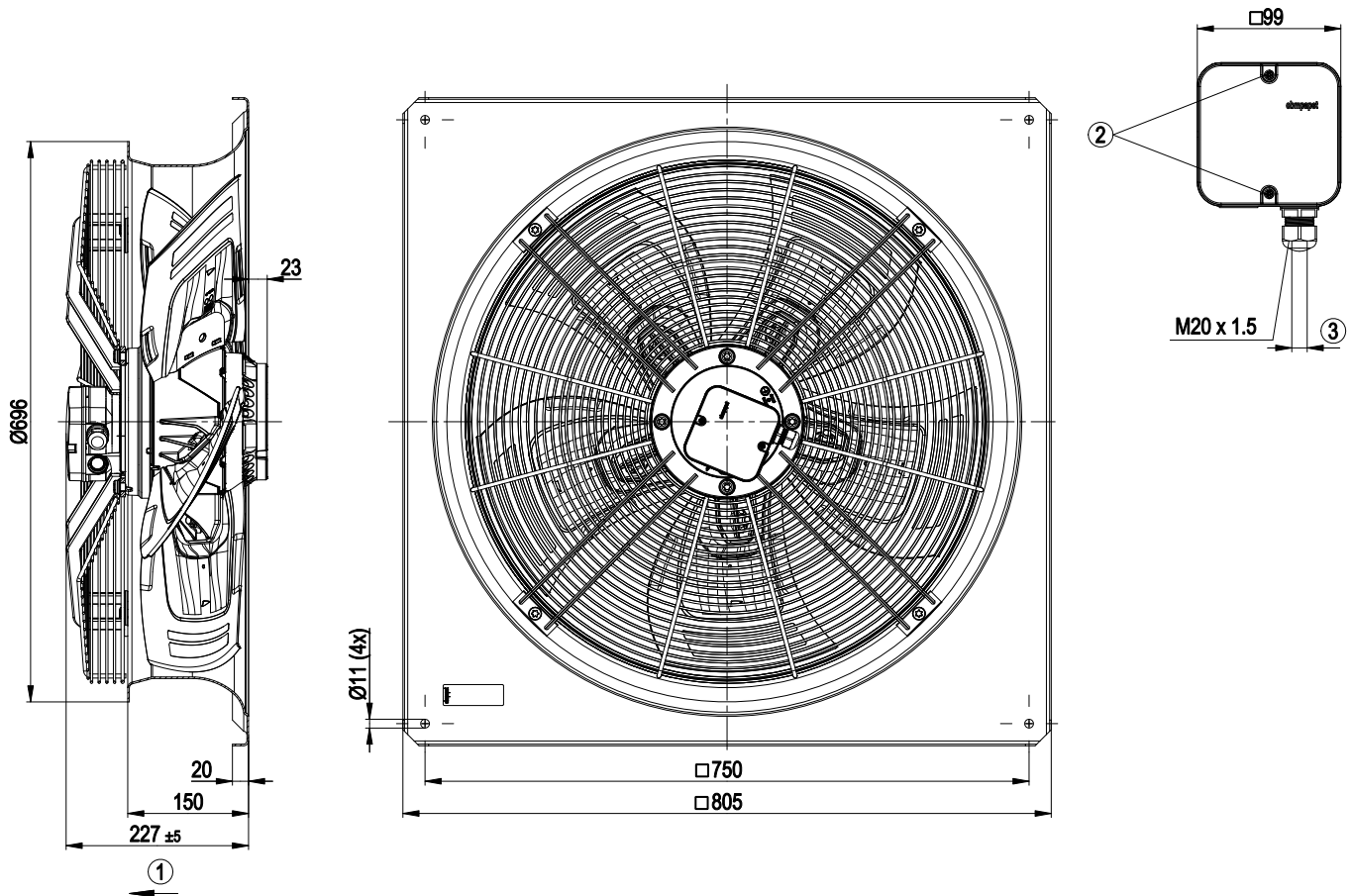


W4D630-GH01-01

# AC axial fan - HyBlade®

sickled blades (S series), single inlet  
with full square nozzle

## Product drawing



1	Direction of air flow "V"
2	Tightening torque $1.5 \pm 0.2$ Nm
3	Cable diameter: min. 7 mm, max. 14 mm, tightening torque: $2 \pm 0.3$ Nm

