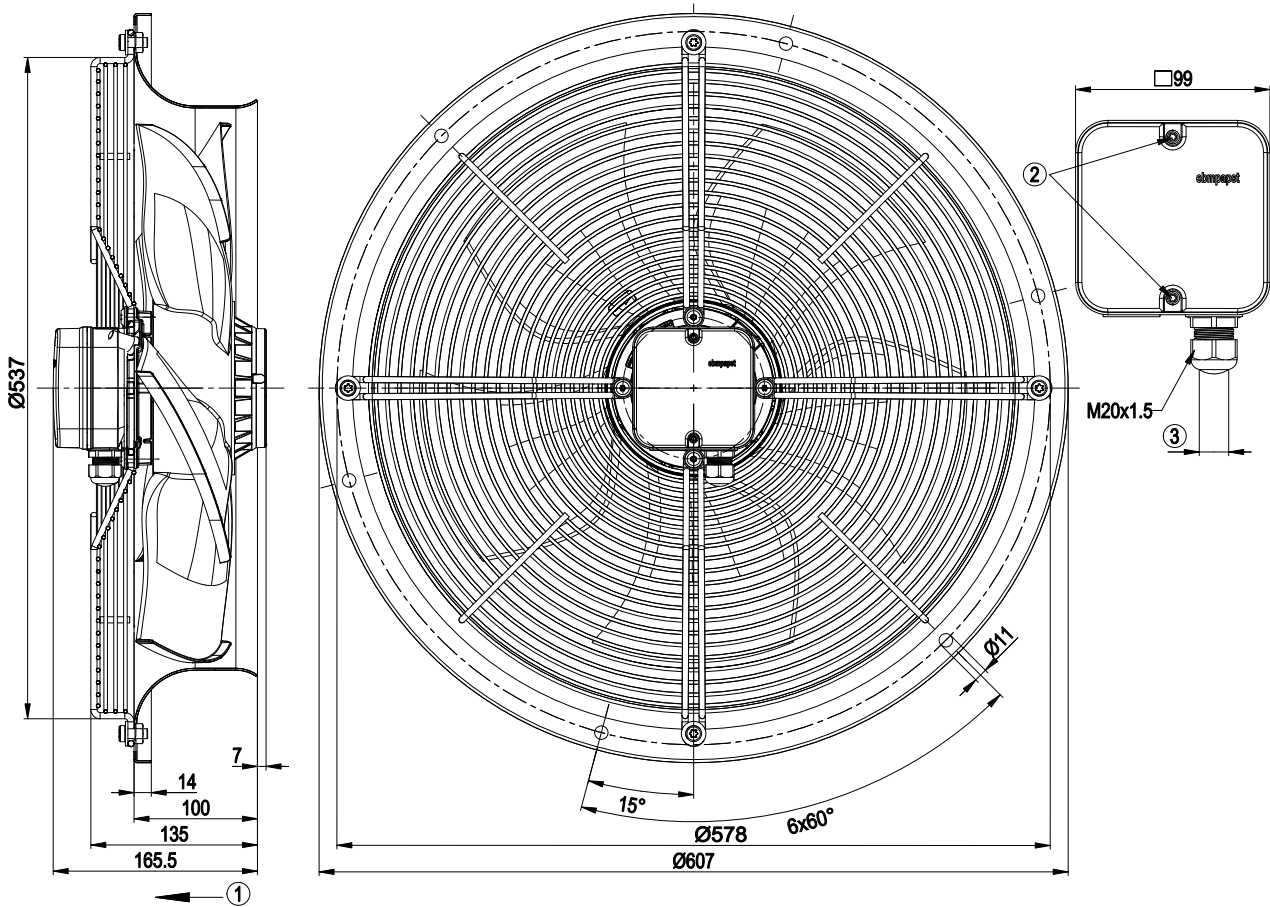


# AC axial fan - HyBlade®

sickled blades (S series)

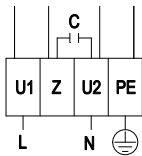
with full round nozzle

## Product drawing



1	Direction of air flow "V"
2	Tightening torque 0.8±0.15 Nm
3	Cable diameter: min. 6 mm, max. 12 mm, tightening torque: 2±0.3 Nm

## Connection screen



L	= U1 = blue	Z	brown	N	= U2 = black
PE	green/yellow				

