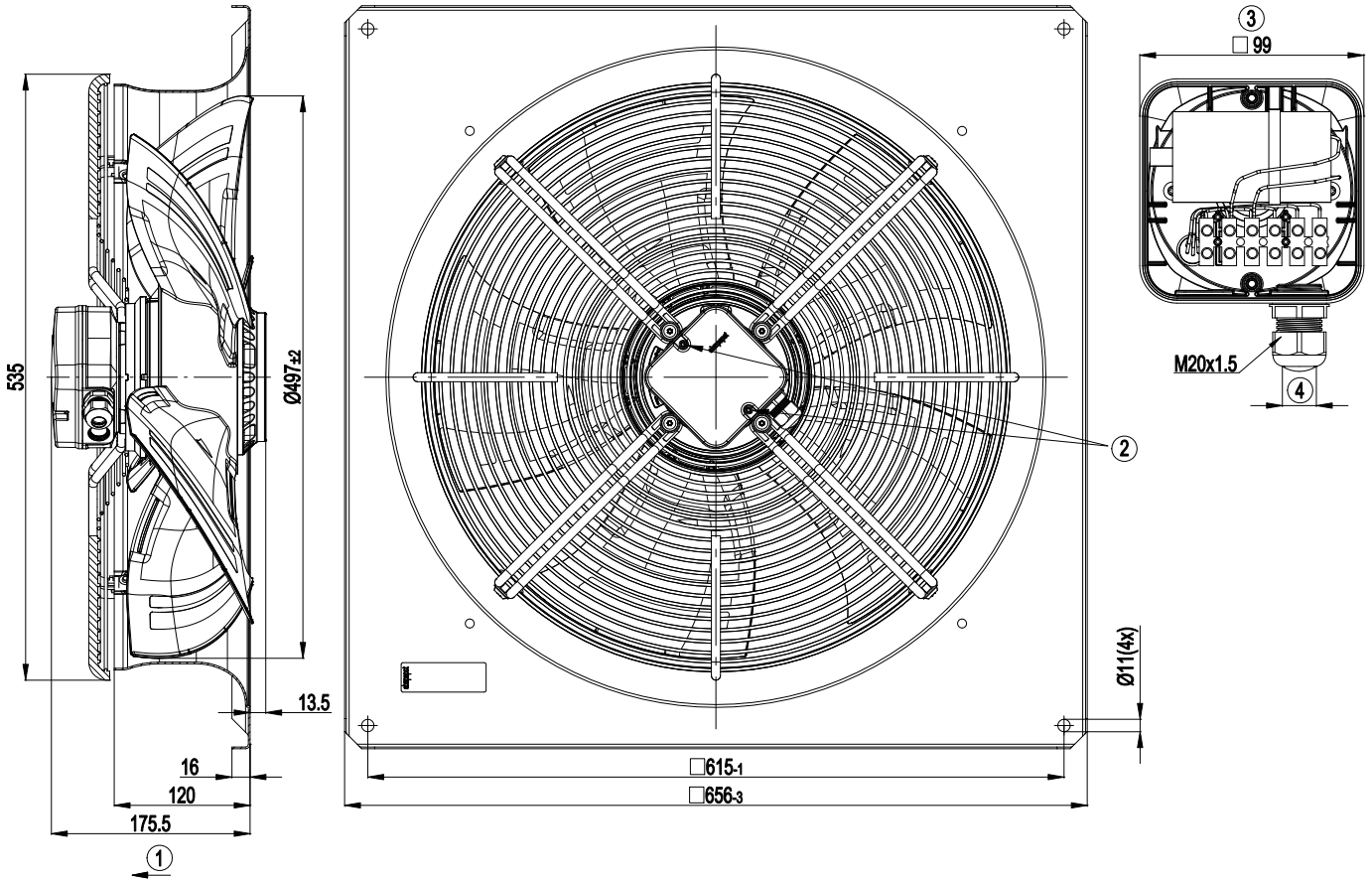


# AC axial fan - HyBlade®

sickled blades (S series)

with full square nozzle

## Product drawing



|   |                                                                          |
|---|--------------------------------------------------------------------------|
| 1 | Direction of air flow "V"                                                |
| 2 | Tightening torque $0.8 \pm 0.15$ Nm                                      |
| 3 | Shown without terminal box cover                                         |
| 4 | Cable diameter: min. 6 mm, max. 12 mm; tightening torque: $2 \pm 0.3$ Nm |

