

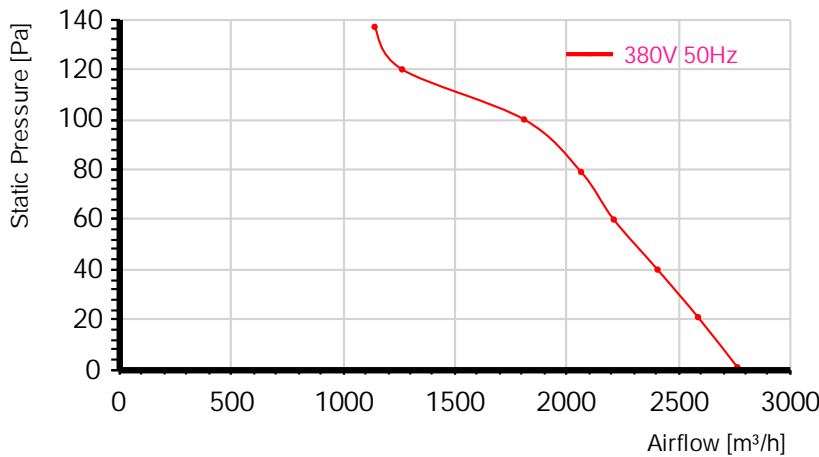
Model: YWF(K)2D300-Z-B5A

Fan type: AC Axial fan

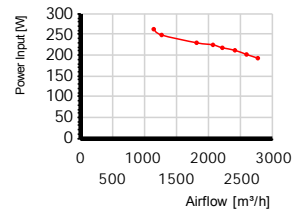
Rated voltage	380 VAC
Power input	250 W
Rated current	0.45 A
Rated speed	2500 r/min
Max airflow	2800 m ³ /h (Static pressure=0Pa)
Acoustic	72 dB(A) measured at 1.0m from inlet side

Performance curve

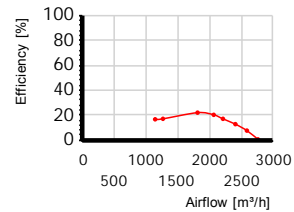
Airflow curve



Power input curve



Efficiency on static pressure



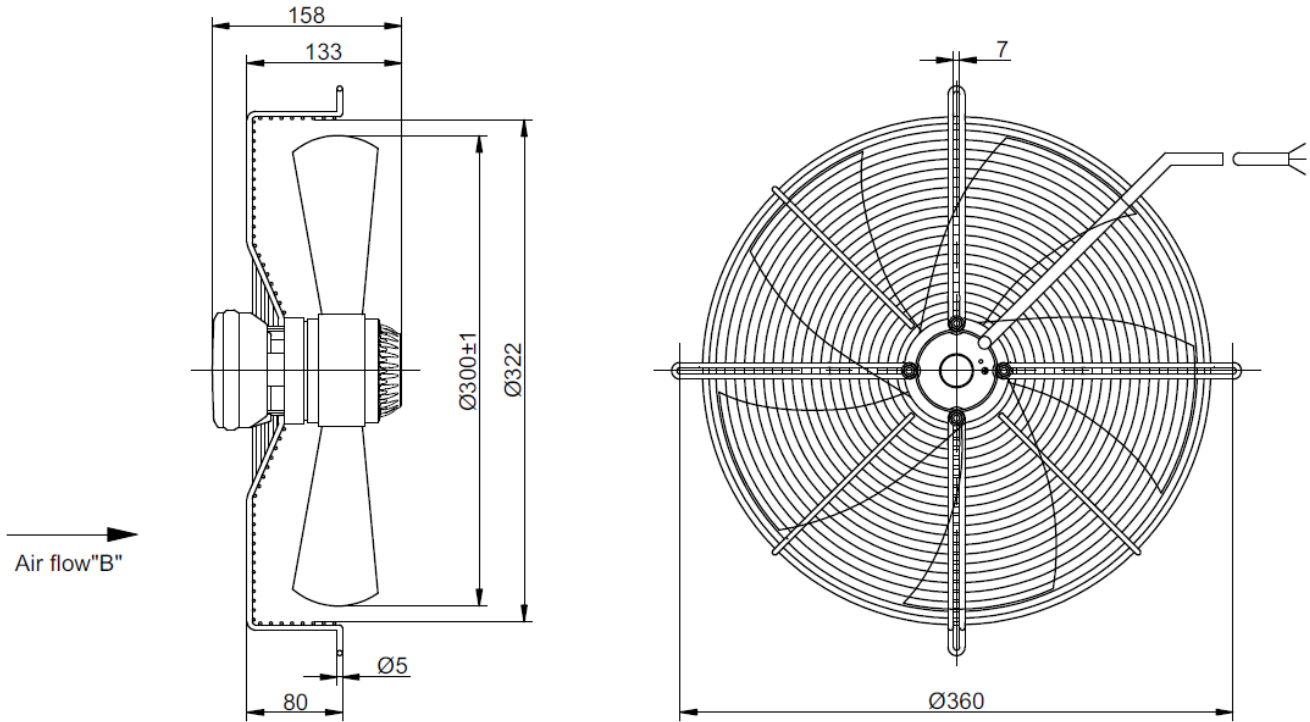
Performance test with reference to GB/T 1236-2017, equivalent to ISO 5801

TestID	2013032301		Connection	-						
Test environment										
Outlet size	Outlet area	Temperature	Humidity	Baropressure	Density					
315mm	0.0779m ²	18°C	71%	102kPa	1.2kg/m ³					
Test data										
Voltage	Frequency	Speed	Power input	Current	Airflow	Static pressure	Dynamic pressure	Total pressure	Pressure Difference	Nozzle Size
V	Hz	r/min	W	A	m ³ /h	Pa	Pa	Pa	Pa	mm
0	0	2358	263	0.42	1140	137	10	147	204	150+189*0
0	0	2411	249	0.4	1263	120	12	132	250	150+189*0
0	0	2473	230	0.37	1809	100	25	125	203	+189*1
0	0	2485	225	0.36	2064	79	33	112	264	+189*1
0	0	2490	218	0.36	2210	60	38	98	302	+189*1
0	0	2527	212	0.35	2406	40	45	85	358	+189*1
0	0	2553	202	0.33	2587	21	52	72	414	+189*1
0	0	2580	193	0.32	2763	1	59	60	472	+189*1

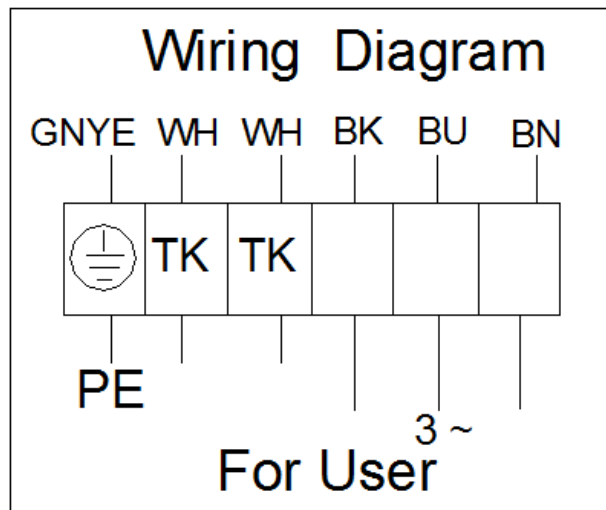
Model: YWF(K)2D300-Z-B5A

Fan type: AC Axial fan

Dimensions(in mm)



Wiring diagram



Attentions

★ Please check the appearance and the accessories if there is no damage before use, check the model is consistent with requirements;